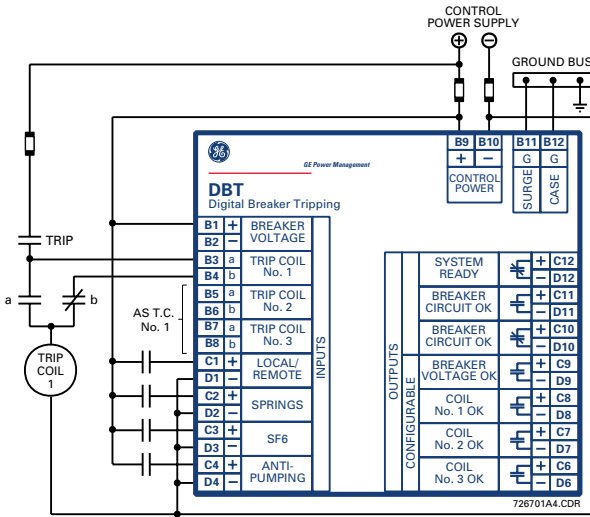
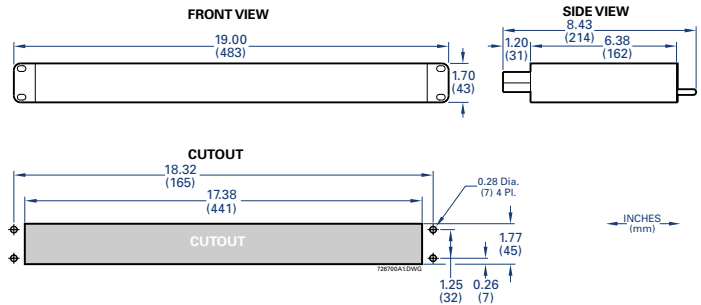


TYPICAL WIRING



DIMENSIONS



DBT TECHNICAL SPECIFICATIONS

METERING	
ACCURACY	
Voltage:	±5%
Resistance:	±10%
Time:	20 ms

INPUTS	
BURDENS	
Voltage Burden:	
110/125 VDC model:	48 kΩ
220/250 VDC model:	96 kΩ
Digital Inputs Burden:	
110/125 VDC Model:	66 kΩ
220/250 VDC Model:	132 kΩ
DC Power Supply Burden:	<7.5 W

OUTPUTS	
OUTPUT CONTACTS	
Breaking Capacity:	4000 VA
Max DC Operating Voltage:	300 VDC
Max AC Operating Voltage:	440 VAC
Continuous Current:	16 A
Closing:	30 A

POWER SUPPLY	
110/125 VDC, ±20%	
220/250 VDC, ±20%	

APPROVALS	
CE Compliant	

ENVIRONMENTAL	
Temperature Range:	
Operation:	-25° C to +55° C
Storage:	-40° C to +65° C
according to IEC 255-6 and ANSI C37.90	
Ambient Humidity:	up to 95% without condensation

PACKAGING	
Weight:	
Net:	3 kg
Packed:	4 kg
Dimensions:	
Width:	483 mm (19")
Depth:	214 mm
Height:	43 mm (1 unit high)

*Specifications subject to change without notice.

ORDERING

To order select the basic model and the desired features from the Selection Guide below.

DBT	*	000 A 0	*	0 H	**
DBT					Base DBT
	3				3 coils (three phase)
			1		110/125 VDC
			2		220/250 VDC
				00	5 NO 1 NC (shown in typical wiring)
				01	1 NO 5 NC
				02	2 NO 4 NC

NOTE: In case the breaker has only one coil, one DBT can be used to supervise three different breakers, provided they have the same breaker voltage.

SBC Static Breaker Backup Relay

Phase and ground backup protection for the primary circuit breaker.



Application

- Backup protection for primary circuit breaker

Protection and Control

- Phase instantaneous overcurrent
- Ground instantaneous overcurrent

Features

- Built-in regulated power supply
- Fast reset current detectors
- Surge suppression on input circuits
- Drawout case (200 series)



For more information on this product, please visit us on the web or on our product CD.