

Model PT6-1-125

Indoor Voltage Transformer ANSI Groups 4A & 4B Medium Voltage

Accuracy Class

0.3 WXYZ 1.2ZZ at 100 % rated voltage with 120 V based ANSI burden.

0.3 WXY, 1.2Z at 58 % rated voltage with 69.3 V based ANSI burden.

Frequency

60 Hz.

Maximum System Voltage

25.5 kV, BIL 125 kV.

Thermal Rating

1,500 VA 30 °C. amb.
1,000 VA 55 °C. amb.

Weight

Approximate weight 125 lbs.



ONE BUSHING

REGULATORY AGENCY APPROVALS



E145172



LR89403

Manufactured to meet the requirements of ANSI/IEEE C57.13.

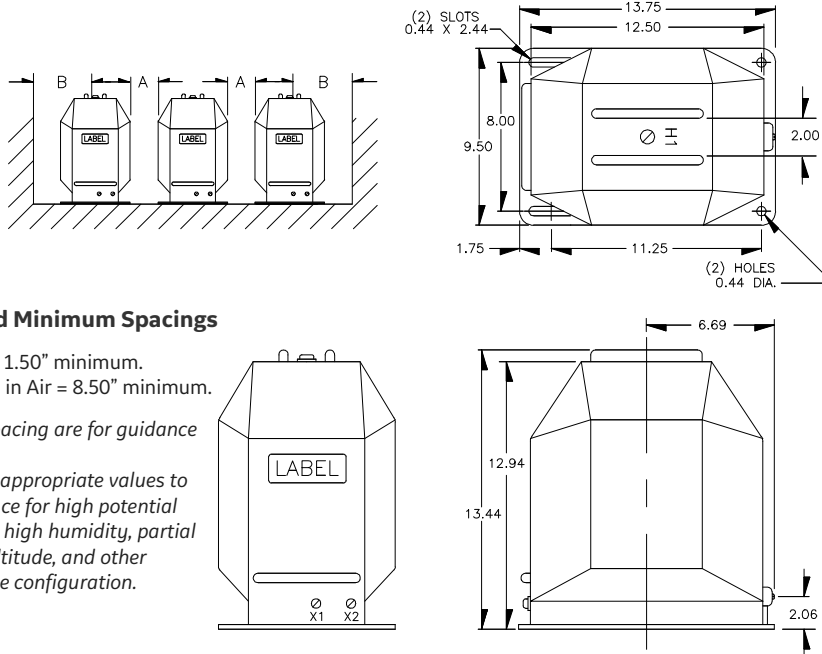
PT6-1

	Group	Primary Voltage (a)	Ratio	Secondary Voltage	Catalog Numbers	^R FR) (c) Ω
	4A	10,200	85:1	120	PT6-1-125-1022	80
	4A	*12,000	100:1	120	PT6-1-125-123	80
	4A	13,200	110:1	120	PT6-1-125-1322	80
	4A	13,800	115:1	120	PT6-1-125-1382	80
	4A	*14,400	120:1	120	PT6-1-125-1442	80
	4B	*18,000	150:1	120	PT6-1-125-183	50
	4B	*21,000	175:1	120	PT6-1-125-213	50
	4B	*24,000	200:1	120	PT6-1-125-243	50

NOTE: All primary voltages marked with an asterisk (*) are approved for revenue metering in Canada by industry Canada, Approval No. AE-0676 Rev.2



Model PT6-1-125



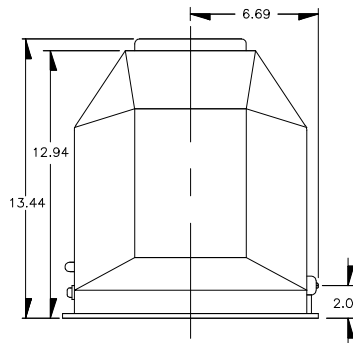
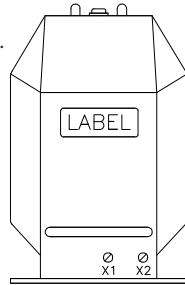
Recommended Minimum Spacings

A = Unit to Unit = 1.50" minimum.

B = HV to Ground in Air = 8.50" minimum.

Recommended spacing are for guidance only.

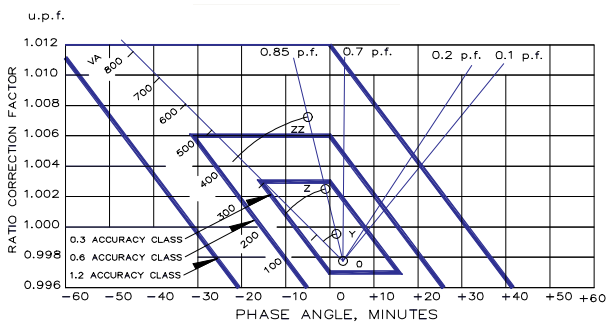
User needs to set appropriate values to assure performance for high potential test, impulse test, high humidity, partial discharge, high altitude, and other considerations like configuration.



- (a) Also available are other ratios and frequencies, double secondaries and units meeting IEC 44-2 rated voltage factors of 1.50 or 1.90.
 (b) Voltage transformers connected line-to-ground cannot be considered to be grounding transformers and must not be operated with the secondaries in closed delta because excessive currents may flow in the delta.
 (c) See page 32, item 1 for ferroresonance considerations.

Note: It is recommended that the system line-to-line voltage not exceed transformer maximum system voltage level.

Circle Diagram



The circle diagram can be used to predict the performance of a transformer for various loads and power factors. A convenient scale of volt-ampere is shown on the unity power factor line (u.p.f.) and commences at the zero or no-load locus. To use the diagram, measure the known V.A. and scribe an arc about the "Zero" locus of a length that contains the angle of the burden power factor. The point at which the arc terminates is the error locus in phase angle minutes and ratio correction factor.

- Primary terminals are 3/8-16 brass screws with one flatwasher and lockwasher.
- Secondary terminals are 1/4-20 brass screws with one flatwasher and lockwasher.
- The core and coil assembly is vacuum encapsulated in polyurethane resin.
- A primary fuse is not supplied, but is recommended. Use a 25 kV, 0.5E rated fuse for primary ratings of 13,000 volts or greater and 1.0E for those rated less than 13,000 volts. A test card is provided with each unit.

GEGridSolutions.com

Grid-AIS-L4-ITL_Model_PT6_1-1483-2017_07-EN. © Copyright 2017. General Electric Company and Instrument Transformers LLC reserve the right to change specifications of described products at any time without notice and without obligation to notify any person of such changes.

Worldwide Contact Center

Web: www.GEGridSolutions.com/contact

Phone: +44 (0) 1785 250 070

USA and Canada: +1 (0) 800 547 8629

Europe, Middle East and Africa: +34 (0) 94 485 88 00

