

Model JVW-150

Outdoor Voltage Transformer
60 Hz, 12,000 V to 24,000 V, BIL 150 kV

Application

Designed for outdoor service; the model JVW-150 is a metering voltage transformer specifically designed to meet the requirements of 25 kV outdoor metering applications.

Thermal Rating

55 °C Rise Above 30 °C Ambient..... 750 VA

Weight - Shipping/Net

(approximate, in pounds)

Transformer.....155/140

Reference Drawings

Accuracy Curve at
120 Secondary Volts, 60 Hz9932600220
Excitation Curve9932600167
Outline Drawings:
Two-Bushing Model9935492
Single-Bushing Model 9935491
Wiring Diagram ... refer to page 42, figure 5

Accessories - Catalog Number

Mounting Hardware:
"L" Mounting Brackets8944634002
Channel Bracket 5466227001
Suspension Hooks 8944630001
Secondary Conduit Box9689970001



JVW-150 Single-bushing Model

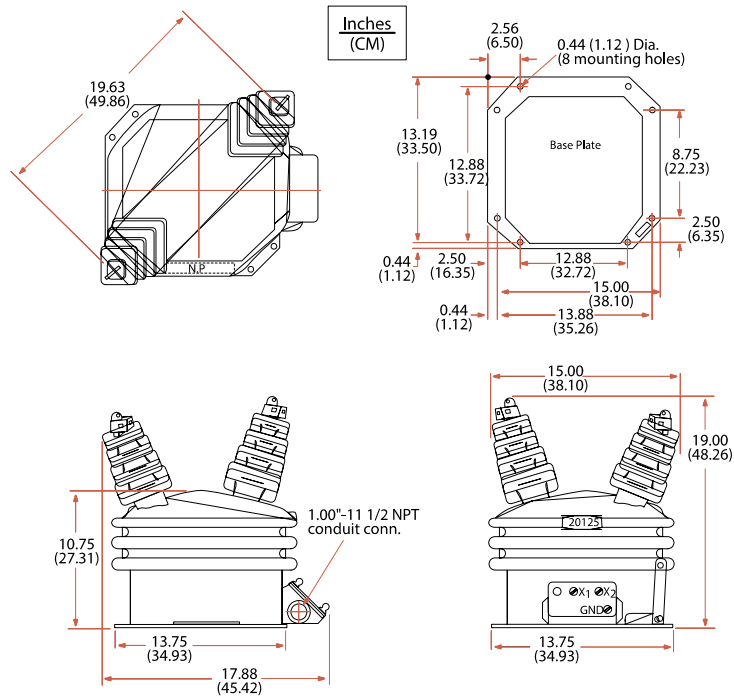
JVW-150

Line-To-Line Circuit Voltage for Permissible Primary Connection				Accuracy Classification 60 Hz				Burden Impedance as at Rated Voltage but Operated at 58 % Rated Voltage ⁽³⁾	Catalog Number	
				Transformer Rating ⁽¹⁾		Burden Per ANSI			Single Bushing Model	Two Bushing Model
Δ	Y	Y Only	GY Only ⁽¹⁾	Primary Voltage	Ratio	Operated at Rated Voltage	Operated at 58 % of Rated Voltage			
---	---	---	12,000 ⁽⁴⁾	12,000	100:1	0.3 W, X, M, Y	0.3 W, X; 1.2 M, Y	0.3 W', X', M', Y'	766X034001	---
---	---	---	14,400 ⁽⁵⁾	14,400	120:1	0.3 W, X, M, Y	0.3 W, X; 1.2 M, Y	0.3 W', X', M', Y'	766X034002	766X034006
18,000 ⁽²⁾	18,000 ⁽²⁾	18,000 ⁽²⁾	---	18,000	150:1	0.3 W, X, M, Y	0.3 W, X; 1.2 M, Y	0.3 W', X', M', Y'	---	766X034003
24,000 ⁽²⁾	24,000 ⁽²⁾	24,000 ⁽²⁾	---	24,000	200:1	0.3 W, X, M, Y	0.3 W, X; 1.2 M, Y	0.3 W', X', M', Y'	---	766X034004

- Notes:
- (1) These single bushing transformers are suitable for application to grounded systems, for operation line-to-ground only. They will operate without damage connected line-to-ground at 1.40 times the transformer-rated voltage for one minute. If it should become necessary to apply these grounded wye voltage transformers to an ungrounded system, refer to the nearest General Electric Sales Office for a system analysis study.
- (2) These two-bushing transformers are designed for operation line-to-line. They may also be operated line-to-ground or line-to-neutral at reduced voltage (58% of rated voltage).
- (3) The prime symbol (') is used to signify that these burdens do not correspond to standard ANSI definitions.
- (4) 20,780 in Y configuration
- (5) 24,940 in Y configuration.



Model JVV-150



Mechanical Dimensions (two-bushing model shown)

Construction and Insulation

Please refer to General Product Information, item 1.4.

Core

Please refer to General Product Information, item 2.4.

Coils

Please refer to General Product Information, item 3.2

Primary Terminals

Please refer to General Product Information, item 4.6.

Secondary Terminals

Please refer to General Product Information, item 4.18.

Ground Terminal

Please refer to General Product Information, item 4.23.

Conduit Box

Please refer to General Product Information, item 12.1.

Polarity

Please refer to General Product Information, item 7.1.

Baseplate and Mounting

Please refer to General Product Information, items 5.3, 5.15 and the Application Information Section of this volume.

Nameplate

Please refer to General Product Information, item 6.2.

Rating Identification

Please refer to General Product Information, item 13.1.

Maintenance

Please refer to General Product Information, item 10.1 and pages 24-27.

Note:

1. Voltage transformers of this type are available for use in 50 Hz applications in many ratings. However, Industry Standard IEEE 57.13 to which we test transformers does not apply at 50 Hz. Customers who order voltage transformers for 50 Hz application should provide an accuracy specification including Burden VA and Power Factor. If an accuracy specification is not made available, the transformer(s) will be tested at 60 Hz with test burdens as defined in IEEE 57.13 for 60 Hz applications.

GEGridSolutions.com

Grid-AIS-L4-ITL_Model_JVV_150-1515-2017_08-EN. © Copyright 2017, General Electric Company. GE reserves the right to make changes to specifications of described products at any time without notice and without obligation to notify any person of such changes.

Worldwide Contact Center

Web: www.GEGridSolutions.com/contact

Phone: +44 (0) 1785 250 070

USA and Canada: +1-800-547-8629

Europe, Middle East and Africa: +34-94-485-88-00

