

Model JKW-5AC

Outdoor Current Transformer - High Accuracy
110 kV BIL, 15 kV NSV, 5 to 1200 A

Application

Designed for outdoor service; suitable for operating meters, instruments, relays and control devices.

Insulation Level

15.5 kV Maximum System Voltage;
110 kV BIL per IEEE C57.13

Dimensions & Weight

Height: 14.55"
Depth: 12.37"
Width: 10.88"
Weight (Approximate): 66 lbs

Frequency

60 Hz



General Information

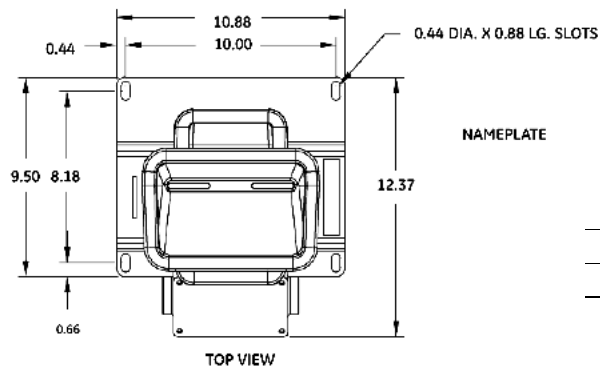
JKW-5AC are manufactured in GE's Clearwater, FL. plant utilizing state-of-the-art Automated Pressure Gelation (APG) processes and Hydrophobic Cycloaliphatic Epoxy (HCEP) for the entire line of outdoor voltage transformers. Insulation levels meet or exceed those specified in IEEE C57.13 and CSA CAN3-C13. Dimensions meet IEEE C12.11. Superior designs, HCEP epoxy, and APG processes are combined to create a superior product. Benefits of HCEP over CEP include lower leakage currents, lower flashover probability, less discharge activity, less erosion from ultra violet (UV) radiation, enhanced thermal cycle resistance, and ultimately better reliability and improved life expectancy.

Model JKW-5C

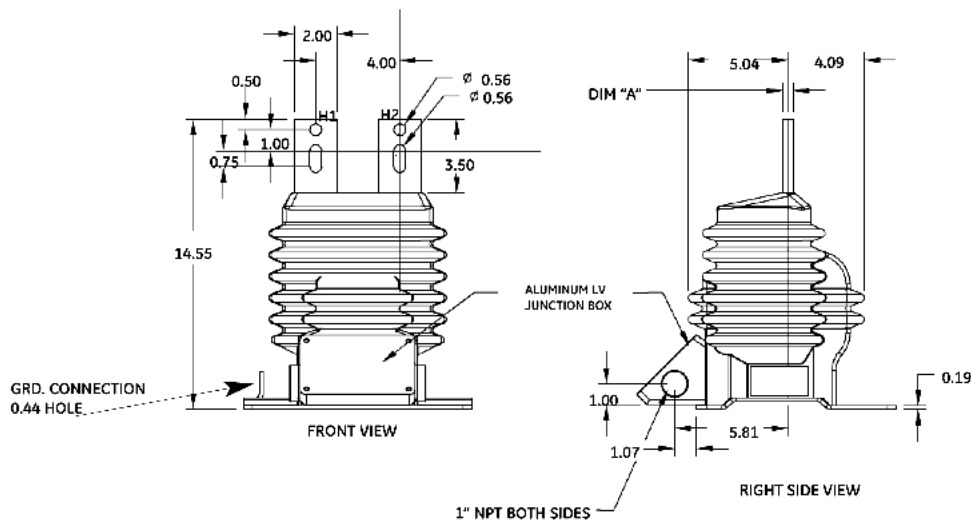
Catalog Number	Current Ratio	Relay Class 60 Hz	Metering Class 60 Hz	Rating Factor
Single Ratio Type JKW-5AC 15 kV, 110 kV BIL				
755C151001	5:5	C200	0.15 B-0.9	1.5
755C151002	10:5	C200	0.15 B-0.9	1.5
755C151003	15:5	C200	0.15 B-0.9	1.5
755C151004	20:5	C200	0.15 B-0.9	1.5
755C151005	25:5	C200	0.15 B-0.9	1.5
755C151006	30:5	C200	0.15 B-0.9	1.5
755C151007	40:5	C200	0.15 B-0.9	1.5
755C151008	50:5	C200	0.15 B-0.9	1.5
755C151009	75:5	C200	0.15 B-0.9	1.5
755C151010	100:5	C200	0.15 B-0.9	1.5
755C151011	150:5	C200	0.15 B-0.9	1.5
755C151012	200:5	C200	0.15 B-0.9	1.5
755C151013	300:5	C200	0.15 B-0.9	1.5
755C151014	400:5	C200	0.15 B-0.9	1.5
755C151015	600:5	C200	0.15 B-0.9	1.5
755C151016	800:5	C200	0.15 B-0.9	1.33
755C151017	1,000:5	C150	0.15 B-0.9	1.33
755C151018	1,200:5	C200	0.15 B-0.9	1.1



Model JKW-5C



RATIO	DIM. "A"
5:5 - 500:5 A	0.25
600:5 - 1200:5 A	0.50



General Construction

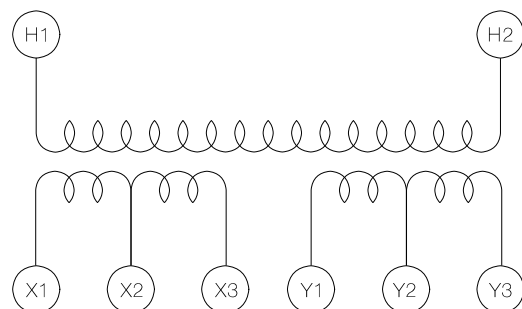
- Insulation - Hydrophobic Cycloaliphatic Epoxy (HCEP)
- Baseplate - Heavy gage marine grade aluminum
- Conduit box - Cast aluminum, removable, 1" threaded hubs
- Nameplate - Anodized aluminum
- Mounting - Horizontal, Vertical, Inverted

HCEP Resin Features

- Ideal for outdoor applications
- Excellent water repellent characteristics
- High mechanical properties
- Excellent dielectric properties - stable in outdoor humid conditions
- Enhanced thermal cycle resistance
- High resistance to erosion from ultra violet (UV) radiation
- High tracking and arc resistance
- Extended service life

Connection Diagram

Available in multiple configurations up to and including: Double ratio with tap on the secondary winding.



GEGridSolutions.com

ITI-Model-JKW-5AC-Spec-EN-2018-01-Grid-AIS-1629. © Copyright 2018. General Electric Company and Instrument Transformers LLC reserve the right to change specifications of described products at any time without notice and without obligation to notify any person of such changes.

Worldwide Contact Center

Web: www.GEGridSolutions.com/contact

Phone: +44 (0) 1785 250 070

USA and Canada: +1 (0) 800 547 8629

Europe, Middle East and Africa: +34 (0) 94 485 88 00

