

Model JKS-3

Indoor Current Transformer
5,000 V, BIL 60 kV, 15 A to 800 A, 50/60 Hz

Application

Designed for indoor service; suitable for operating relays and control devices. It has been designed with extra-high mechanical and thermal ratings to adapt it to this application.

Weight - Shipping/Net

(approximate, in pounds)
Single-Secondary36/30 lbs
Dual-Secondary 74/62 lbs
Tapped-Secondary 36/30 lbs



Model JKS-3 Single-Secondary

JKS-3 Product Data

| Current Ratio in Amperes; Pri:Sec | ANSI Accuracy Class, 60 Hz | | | Relay Class | Continuous Thermal- Current Rating Factor | | Mechanical Limit, Amperes | 1-Sec. Thermal Limit, Amperes | | Catalog Number |
|--------------------------------------|----------------------------|-------|-----|-------------|--|------------------|---------------------------------|--|--|-------------------|
| | Meter Class, Burden | | | | 30 °C Ambient | 55 °C Ambient | | With Secondary Short- Circuited | With Burden B- 0.2 or Greater | |
| | B-0.1 | B-0.5 | B-2 | | | | | | | |
| Single-Secondary | | | | | | | | | | |
| 15:5 | 0.6 | 1.2 | --- | T10 | 1.5 | 1.0 | 12,500 | 1,700 | 6,400 | 753X001001 |
| 25:5 | 0.6 | 1.2 | --- | T20 | 1.5 | 1.0 | 12,500 | 2,000 | 6,400 | 753X001003 |
| 40:5 | 0.6 | 1.2 | --- | T10 | 1.5 | 1.0 | 22,000 | 2,500 | 12,800 | 753X001005 |
| 50:5 | 0.6 | 1.2 | --- | T20 | 1.5 | 1.0 | 22,000 | 3,000 | 12,800 | 753X001006 |
| 75:5 | 0.3 | 0.6 | --- | T20 | 1.5 | 1.0 | 22,000 | 4,000 | 12,800 | 753X001007 |
| 100:5 | 0.6 | 1.2 | --- | T10 | 1.5 | 1.0 | 44,000 | 5,000 | 25,200 | 753X001008 |
| 150:5 | 0.6 | 1.2 | --- | T20 | 1.5 | 1.0 | 59,000 | 7,500 | 35,300 | 753X001009 |
| 200:5 | 0.3 | 0.6 | --- | T20 | 1.5 | 1.0 | 59,000 | 10,000 | 35,300 | 753X001010 |
| 250:5 | 0.3 | 0.3 | --- | T50 | 1.5 | 1.0 | 66,000 | 15,000 | 35,300 | 753X001011 |
| 300:5 | 0.3 | 0.3 | 1.2 | T50 | 1.5 | 1.0 | 66,000 | 20,000 | 35,300 | 753X001012 |
| 400:5 | 0.3 | 0.3 | 1.2 | T50 | 1.5 | 1.0 | 77,000 | 30,000 | 35,300 | 753X001013 |
| 500:5 | 0.3 | 0.3 | 0.3 | T100 | 1.5 | 1.0 | 77,000 | 35,300 | 35,300 | 753X001014 |
| 600:5 | 0.3 | 0.3 | 0.3 | T100 | 1.5 | 1.0 | 108,000 | 50,400 | 50,400 | 753X001015 |
| 800:5 | 0.3 | 0.3 | 1.2 | T50 | 1.5 | 1.0 | 280,000 | 59,200 | 59,200 | 753X001016 |
| Tapped-Secondary | | | | | | | | | | |
| 50/100:5 | 1.2 | 2.4 | --- | T10 | 1.5 | 1.1 | 44,000 | Refer to Factory for Values | | 753X001017 |
| | 0.3 | 0.6 | --- | T20 | 1.5 | 1.1 | 44,000 | | | |
| 75/150:5 | 0.6 | 1.2 | --- | T20 | 1.5 | 1.1 | 59,000 | | | 753X001018 |
| | 0.3 | 0.6 | --- | T50 | 1.5 | 1.1 | 59,000 | | | |
| 100/200:5 | 0.6 | 1.2 | --- | T20 | 1.5 | 1.1 | 59,000 | | | 753X001019 |
| | 0.3 | 0.3 | 1.2 | T50 | 1.5 | 1.1 | 59,000 | | | |
| 150/300:5 | 0.3 | 0.6 | 2.4 | T20 | 1.5 | 1.1 | 66,000 | | | 753X001020 |
| | 0.3 | 0.3 | 1.2 | T50 | 1.5 | 1.1 | 66,000 | | | |
| 200/400:5 | 0.3 | 0.6 | 2.4 | T50 | 1.5 | 1.1 | 66,000 | | | 753X001021 |
| | 0.3 | 0.3 | 0.3 | T100 | 1.5 | 1.1 | 66,000 | | | |
| 300/600:5 | 0.3 | 0.6 | 2.4 | T50 | 1.5 | 1.1 | 77,000 | | | 753X001022 |
| | 0.3 | 0.3 | 0.3 | T100 | 1.5 | 1.1 | 77,000 | | | |
| 400/800:5 | 0.6 | 1.2 | --- | T20 | 1.5 | 1.1 | 77,000 | | | 753X001023 |
| | 0.3 | 0.3 | 1.2 | T50 | 1.5 | 1.1 | 77,000 | | | |



Reference Drawings

Accuracy Curves:

| | |
|-------------|------------|
| 15:5 | 5453968001 |
| 20:5 | 5453969001 |
| 25:5 | 5453970001 |
| 30:5 | 5453971001 |
| 40:5 | 5453972001 |
| 50:5 | 5453973001 |
| 75:5 | 5453956001 |
| 100:5 | 5453957001 |
| 150:5 | 5453974001 |
| 200:5 | 5453975001 |
| 300:5 | 5453976001 |
| 400:5 | 5453977001 |
| 600:5 | 5453977001 |
| 800:5 | 5453978001 |

Excitation Curves:

| | |
|-------------|-----------------|
| 15:5 | Contact Factory |
| 20:5 | Contact Factory |
| 25:5 | Contact Factory |
| 30:5 | Contact Factory |
| 40:5 | Contact Factory |
| 50:5 | Contact Factory |
| 75:5 | 9932600124 |
| 100:5 | 9932600018 |
| 150:5 | 9932600018 |
| 200:5 | 9936600018 |
| 300:5 | 9936600018 |
| 400:5 | 9936600018 |
| 600:5 | 9936600018 |
| 800:5 | 9936600018 |

Outline Drawings:

| | |
|-------------------------------|----------------------------|
| Single-Secondary Models | 8949911 |
| Dual-Secondary Models | 8949933 |
| Tapped-Secondary Models | 8949806 |
| Wiring Diagram | refer to page 42, figure 4 |

Construction and Insulation

Please refer to General Product Information, item 1.8.

Core

Please refer to General Product Information, item 2.4.

Coils

Please refer to General Product Information, item 3.6.

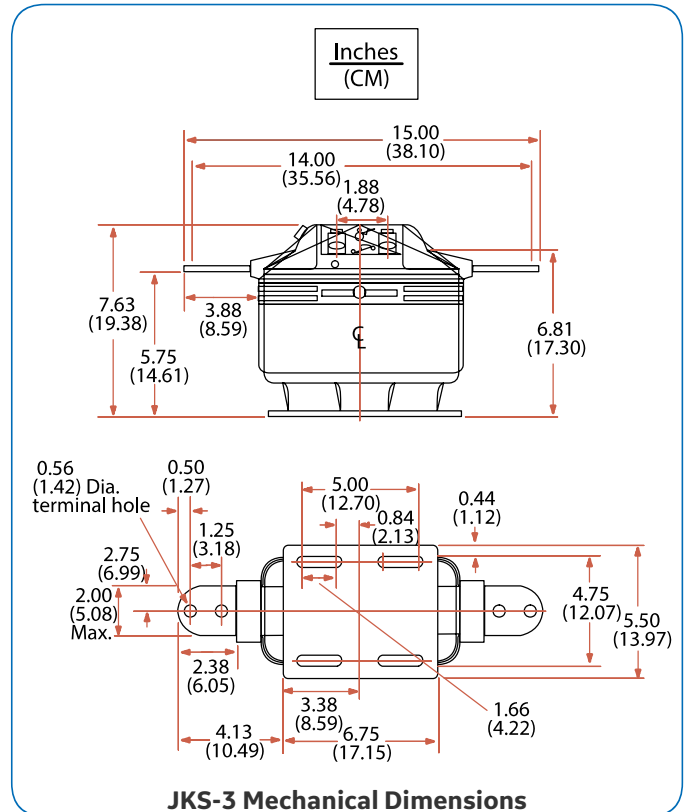
Primary Terminals

Please refer to General Product Information, item 4.3.

Secondary Terminals

Please refer to General Product Information, item 4.13.

JKS-3 Dimensions



Polarity

Please refer to General Product Information, item 7.2.

Baseplate and Mounting

Please refer to General Product Information, item 5.5.

Nameplate

Please refer to General Product Information, item 6.3.

Maintenance

Please refer to General Product Information, item 10.1 and pages 24-27.

GEGridSolutions.com

ITL_Model_JKS_3-Spec-EN-2018-08-Grid-AIS-1465. © Copyright 2018. General Electric Company and Instrument Transformers LLC reserve the right to change specifications of described products at any time without notice and without obligation to notify any person of such changes.

Worldwide Contact Center

Web: www.GEGridSolutions.com/contact

Phone: +44 (0) 1785 250 070

USA and Canada: +1 (0) 800 547 8629

Europe, Middle East and Africa: +34 (0) 94 485 88 00

