

Model JCT-0S RevenueSense™

Revenue Metering Current Transformer

Application

RevenueSense™ is a revenue metering current transformer which maintains IEEE 0.15 accuracy class from 1 % of rated current up through rating factor. This is accomplished using the specialized amorphous core material which minimizes electrical core losses. The result is an extremely accurate CT that can maintain high accuracy over a extended range of current. Model JCT-0S is designed for indoor service, and is available in bar-type or window-type designs.

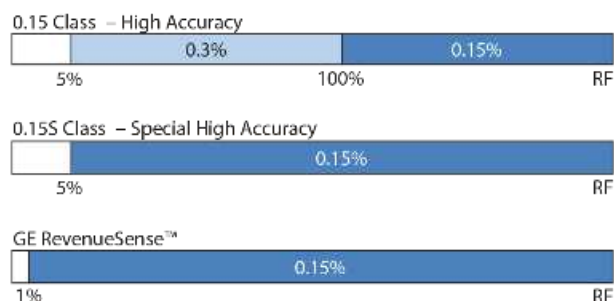


Features

- Voltage Class: 0.6 kV
- Insulation Level: 10 kV BIL
- Frequency: 50-60 Hz
- Application: Indoor
- Window Size: 1.31”

Benefits

- Maximize revenue metering accuracy with special high accuracy rating extended beyond IEEE requirements
- Simplify CT selection and billing multipliers, improving productivity and minimizing risk of error
- Reduce inventory and part number requirements, reducing asset and operational costs



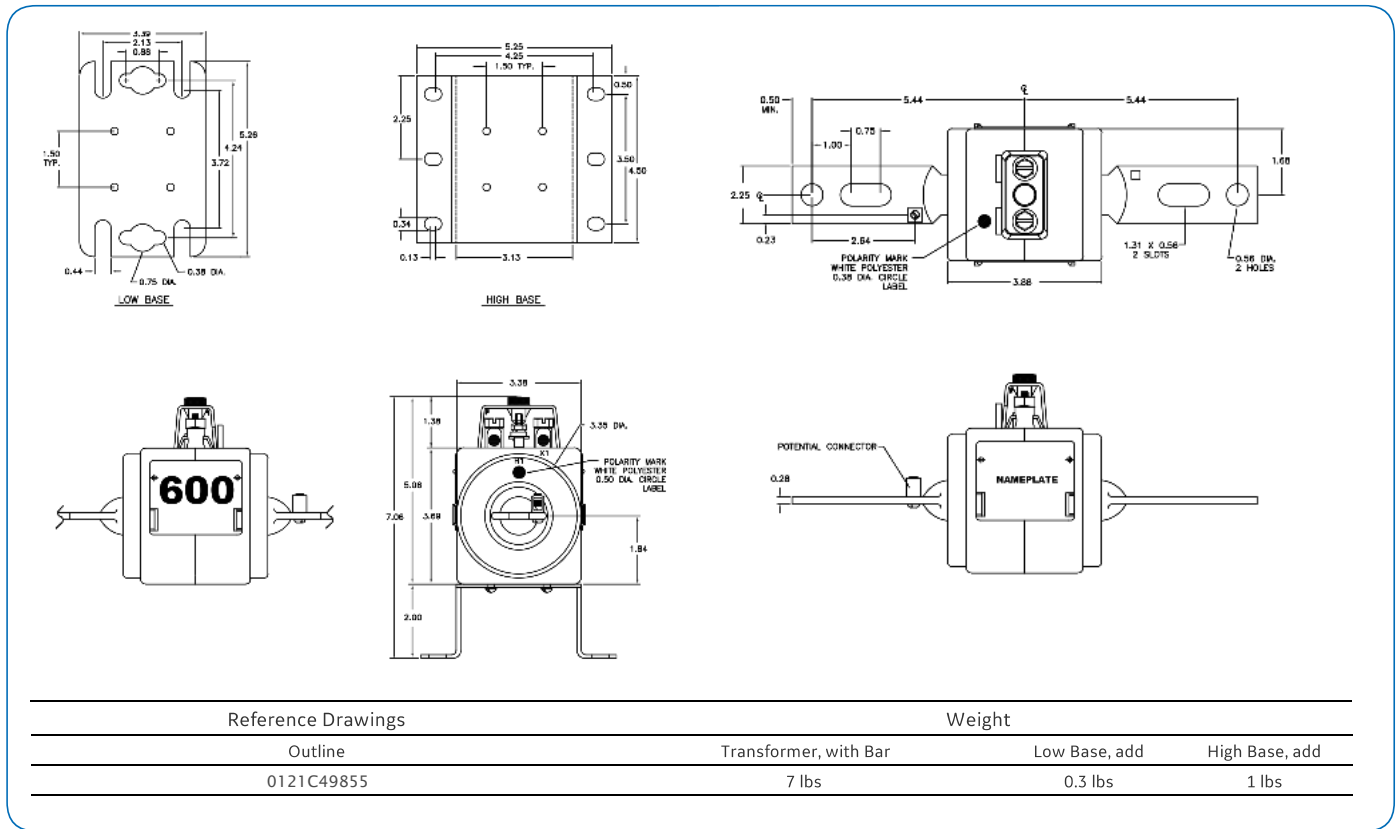
Model JCT-0S

Current Ratio (Amps)	IEEE Metering Accuracy (60 Hz)	Rating Factor		Primary Bar	Catalog Number		
		30 °C	55 °C		No Base	Low Base	High Base
600:5	0.15SB0.2	2.0	1.5	Yes	750X323001	750X323002	750X323003 ⁴

(1) Exceeds IEEE definition for special high accuracy. Maintains 0.15 Accuracy from 1 % to Rating Factor.
 (2) Window-style option available, upon request. Contact GE for more details.
 (3) Other designs available, upon request. Contact GE for more details.
 (4) Measurement Canada Approval: AE-2422



Model JCT-0S - Dimensions



Construction and Insulation

The core and coil are enclosed in a case molded with GE Valox thermoplastic polyester resin. This tough material has excellent electrical and mechanical properties over a wide temperature range, has low water absorption and is resistant to oil and a variety of chemicals.

Core and Coils

The core is manufactured with high-efficiency material that reduces energy losses, allowing for higher accuracy over a wider range. The secondary winding is made of heavy enameled copper wire evenly distributed around the core for maximum accuracy and resistance to stray fields from adjacent conductors.

Terminals

Secondary terminals are tin plated brass, compression type with a 0.275" diameter cross-hole for wiring and a 1/4-28 clamp screw. A shorting device is provided and interlocked to the terminal cover. The terminal cover is made of a clear plastic. Provision is made for sealing the cover.

Polarity

The H1 polarity mark is molded into the case, above the window at one end. The X1 polarity mark is also molded into the case adjacent to the secondary terminal. Both H1 and X1 are marked with white dots.

Nameplates

The nameplate is laser engraved aluminum. It is attached to the top of the unit and has provision for attaching the user's identifying tag. The nominal current rating is marked on the side of the unit in large numerals.

Primary Bars

Formed from solid copper bar, they are tin-plated. They are non-removable and have a potential connector that can be attached above or below the bar at either end.

Baseplate and Mounting

The transformer can be mounted in any position and may be suspended from the bus-bar or cable. It has provision for attaching two optional bases. Low bases are made from stainless steel. The high base increases the transformer height by 2 inches.

Maintenance

These transformers require no maintenance, other than occasional cleaning, if installed where air contamination is severe.

GEGridSolutions.com

ITI-Model-JCT-OS-RS-Spec-EN-2019-03-Grid-AIS-1405. © Copyrights 2019. General Electric Company and Instrument Transformers LLC reserve the right to change specifications of described products at any time without notice and without obligation to notify any person of such changes.

Worldwide Contact Center

Web: www.GEGridSolutions.com/contact

Phone: +44 (0) 1785 250 070

USA and Canada: +1 (0) 800 547 8629

Europe, Middle East and Africa: +34 (0) 94 485 88 00

