

# Models JCM-3/JCM-4/JCM-5

Indoor Current Transformers 600 A to 4,000 A, 50/60 Hz  
5 kV to 15 kV, BIL 60 kV to 110 kV

## Application

Designed for indoor service; suitable for operating meters, relays and control devices.

## Weight

(approximate, in pounds)  
Transformer, without base;  
JCM-3 and JCM-4 84/72 lbs  
Transformer, without base;  
JCM-5 121/109 lbs

## Reference Drawings

### Accuracy Curves at 60 Hz:

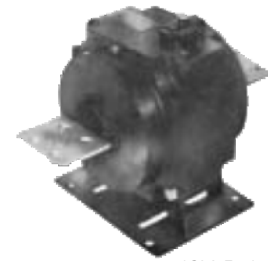
1,200:5 .....	9689241017
1,500:5 .....	9689241018
2,000:5 .....	9689241019
3,000:5 .....	9689241021
4,000:5 .....	9689241022

### Excitation Curves:

1,200:5 .....	9689241126
1,500:5 .....	9689241127
2,000:5 .....	9689241128
3,000:5 .....	9689241124
4,000:5 .....	9689241130

### Outline Drawings:

JCM-3 and JCM-4	
Transformer .....	9689704
Dual-ratio .....	9930858
JCM-5	
Transformer .....	8949930
Dual-ratio .....	9930859
Wiring Diagram ... refer to page 41, figure 3	



JCM-3 -4 current transformer



JCM-5 current transformer



When choosing your GE Instrument Transformer, don't forget to explore the benefits of using GE's 0.15 accuracy class AccuBute line.

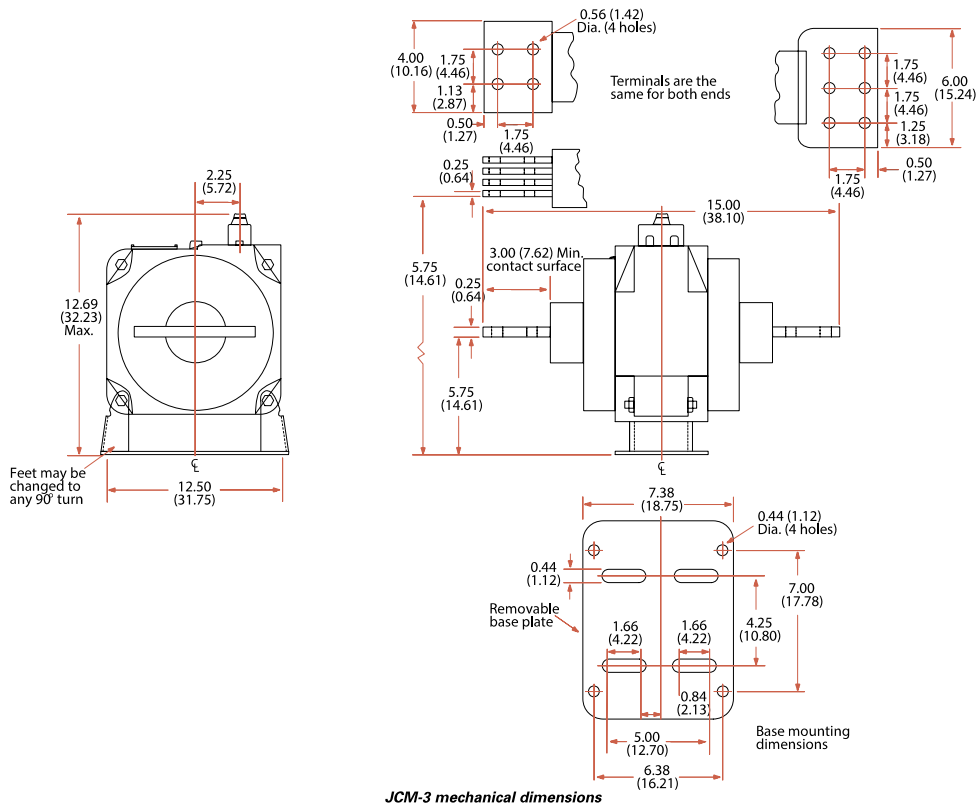
## JCM-3/JCM-4/JCM-5 Product Data

Current Ratio (Amps) Pri : Sec	ANSI Accuracy Class, 60 Hz Burden Per ANSI			Continuous Thermal Current Rating Factor		1-Sec Thermal Limit, Amperes	Catalog Number		
	B-0.1 thru B-1	B-2	Relay Class	30 °C Amb.	55 °C Amb.		JCM-3 5,000 V BIL 60 kV	JCM-4 8,700 V BIL 75 kV	JCM-5 15,000 V BIL 110 kV
1,200:5	0.3	0.3	C200	1.33	1.0	55,000	753X020003	754X020003	755X020003
1,500:5	0.3	0.3	C200	1.33	1.0	69,000	753X020004	754X020004	755X020004
2,000:5	0.3	0.3	C200	1.33	1.0	148,000	753X020005 <sup>1</sup>	754X020005	755X020005 <sup>1</sup>
3,000:5	0.3	0.3	C200	1.33	1.0	279,000	753X020007	754X020007	755X020007 <sup>1</sup>
4,000:5	0.3	0.3	C200	1.0	0.75	456,000	753X020008	754X020008	755X020008 <sup>1</sup>
600/1,200:5	0.3	0.3	C100	2.0	1.5	55,000	753X020009	754X020009 <sup>1</sup>	755X020009 <sup>1</sup>
	0.3		C200	1.33	1.0	55,000			
750/1,500:5	0.3	0.6	C100	2.0	1.5	69,000	753X020010	754X020010	755X020010
	0.3	0.3	C200	1.33	1.0	69,000			
1,000/2,000:5	0.3	0.6	C100	2.0	1.5	148,000	753X020011 <sup>1</sup>	754X020011 <sup>1</sup>	755X020011
	0.3	0.3	C200	1.33	1.0	148,000			
1,500/3,000:5	0.3	0.3	C100	2.0	1.5	279,000	753X020012	754X020012	755X020012
	0.3	0.3	C200	1.33	1.0	279,000			
2,000/4,000:5	0.3	0.3	C100	2.0	1.0	456,000	753X020013	754X020013	755X020013
	0.3	0.3	C200	1.0	0.75	456,000			

1. Measurement Canada Approved: AE-0740 or AE-0310 or AE-0383 or AE-0850 or AE-1000



## JCM-3 Mechanical Dimensions



### Construction and Insulation

Please refer to General Product Information, items 1.2 and 1.8.

### Coils

Please refer to General Product Information, item 3.7.

### Primary Terminals

Please refer to General Product Information, item 4.5.

### Secondary Terminals

Please refer to General Product Information, item 4.16.

### Cover

The terminal cover is made of molded phenolic, with a brass sealing nut which engages the brass sealing stud located half-way between the two terminals. The cover is reversible, having one position when the secondary short-circuiting device is closed and no meter leads are connected, and a reverse position when the shortcircuiting device is open and the meter leads connected. The cover cannot be put in position to be sealed when the short-circuiting device is closed and meter leads are connected.

### Polarity

Please refer to General Product Information, item 7.2.

### Baseplate and Mounting

Please refer to General Product Information, item 5.10.

### Nameplate

Please refer to General Product Information, item 6.3.

### Maintenance

Please refer to General Product Information, item 10.1 and pages 24-27.

### Mechanical Rating

Mechanical limits are omitted since, if bar-primary type transformers are properly installed, their mechanical strength is nearly unlimited.

### GEGridSolutions.com

ITI-Model-JCM-3-5-Spec-EN-2021-03-Grid-AIS-1452. © Copyright 2021. General Electric Company and Instrument Transformers LLC reserve the right to change specifications of described products at any time without notice and without obligation to notify any person of such changes.

### Worldwide Contact Center

Web: [www.GEGridSolutions.com/contact](http://www.GEGridSolutions.com/contact)

Phone: +44 (0) 1785 250 070

USA and Canada: +1 (0) 800 547 8629

Europe, Middle East and Africa: +34 (0) 94 485 88 00

