

ET-16 / 17

Indicating Lamps

Application

The ET-16 (Incandescent) and ET-17 (Neon) indicating lamps are designed for application on switchboard panels up to and including 0.25 inch thickness. The lamps economize on space and permit easy replacement of bulb and resistor.

Features

The simple "push-twist" type plug has been adopted for both the bulb and the resistor. This was accomplished by incorporating a bayonet base on both components. Standard GE extra-long-life bulbs are specified for all lamps.

Terminals are readily available. They are designed for either AMP "FASTON" type connectors, solder, or screws. Nine basic color caps designed for maximum visibility are available for ET-16: Translucent - red, green, yellow, white. Transparent - amber, red, green, blue, and clear. Clear and transparent amber and red caps are offered for ET-17. (Note: Because of the special properties of neon, only these lenses are suitable.)



ET-16 Indicating Lamp



ET-17 Indicating Lamp

UL Recognized...File # E53795

ET-16 Indicating Lamp

Circuit Voltage			Catalog Number (Includes Lamp, Color Cap, and Resistor) D	Resistor		Bulb Part No. 286A5442P	Receptacle	Color Cap
Rated	Min	Max		Part No. 165A7844P	Ohmic Value			
24 DC	22	28	116B6708G1	1	10	1819	116B6709G1	See Table 1
48 DC	44	56	116B6708G2	2	200			
125 DC	110	140	116B6708G3	3	2,000			
250 DC	220	280	116B6708G4	4	5,100			
70 AC	55	76	116B6708G7	7	750	1835		
120 AC	95	130	116B6708G5	5	1,900			
130 AC	105	140	116B6708G8	13	2,300			
240 AC	195	260	116B6708G6	6	4,800			

Table 1 - Color Cap for ET-16

Catalog No. w/Color Cap	Color Cap	
	Color	Color Cap Number
116B6708G*	None	None
116B6708G*-C	Clear Π	286A5443PC4
116B6708G*-R	Red ϕ	286A5443PR5
116B6708G*-G	Green ϕ	286A5443PG5
116B6708G*-Y	Yellow ϕ	286A5443PY5

116B6708G*-W	White ϕ	286A5443PW5
116B6708G*-B	Blue Π	286A5443PB4
116B6708G*-A	Amber Π	286A5443PA4
116B6708G*-D	Green Π	286A5443PG4
116B6708G*-E	Red Π	286A5443PR4
116B6708G*-S	Smoke Π	286A5443PS4



ET-17 Indicating Lamp

Voltage Range AC/DC	Catalog No. (Includes Lamp, Color Cap, and Resistor) Δ Δ	Resistor		Bulb Part No.	Receptacle Part No.	Color Cap
		Part No. 165A7956P	Ohmic Value			
110-139	116B6734G1	1	220 K	B1A	116B6709G1	See Table 2
140-219	116B6734G2	2	560 K			
220-299	116B6734G3	3	820 K			
300-374	116B6734G4	4	1 Meg			
375-449	116B6734G5	5	1.2 Meg			
450-600	116B6734G6	6	1.6 Meg			

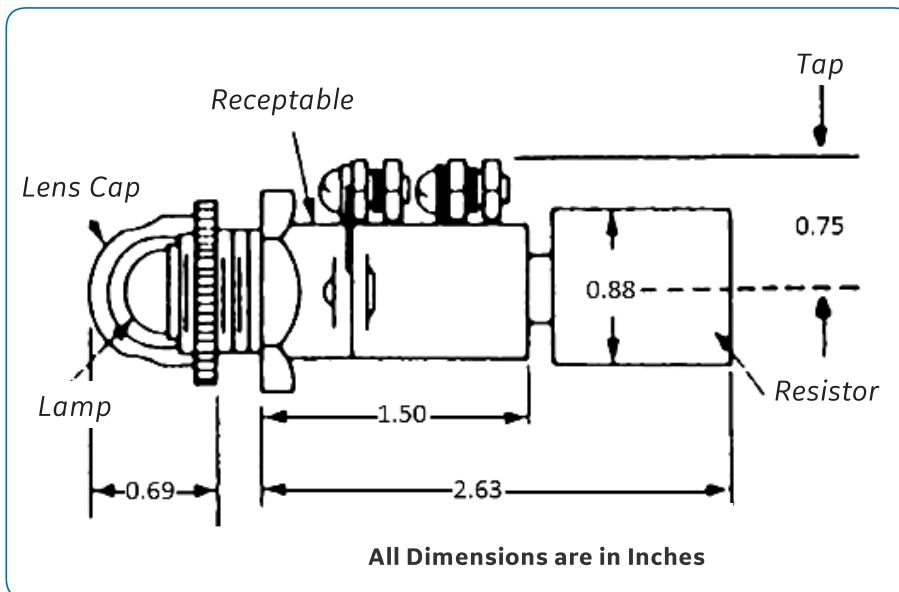
Table 2 - Color Cap for ET-17

Catalog No. w/Color Cap	Color Cap	
	Color	Color Cap No.
116B6734G*	None	None
116B6734G*-C	Clear	286A5443PC4
116B6734G*-E	Red Π	286A5443PR4
116B6734G*-A	Amber Π	286A5443PA4

Dimensions

Subject to change. Should not be used for construction without approval

Indicating Lamp Assembly	Panel (Metal up to 0.25 inches thick)	Dimensions in inches	
		Drill Size (Inches)	A
ET-16	0.66	0.88	2.63
ET-17	0.66	0.41	2.19 (Max.)



* = Group Number Per Voltage Selected
 Π = Transparent
 φ = Translucent

How To Order

Order by complete catalog number and specify color cap.

Δ Must add cap color code suffix from Table 1 (ex. 116B6708G5-R for red translucent cap)

Δ Δ Must add cap color code suffix from Table 2 (ex. 116B6734G5-E for red transparent cap)

Note: Hole size (metal up to 0.25 inches thick) = 0.66 inch diameter

GEGridSolutions.com

ITI-Model-ET16-17-Spec-EN-2020-02-Grid-PQP-1528. © Copyright 2020. General Electric Company and Instrument Transformers LLC reserve the right to change specifications of described products at any time without notice and without obligation to notify any person of such changes.

Worldwide Contact Center

Web: www.GEGridSolutions.com/contact

Phone: +44 (0) 1785 250 070

USA and Canada: +1 (0) 800 547 8629

Europe, Middle East and Africa: +34 (0) 94 485 88 00

