



# Medium Voltage Current Transformer Model CTW7-150 Wound Primary CT

REGULATORY AGENCY APPROVALS



E145172



LR89403

Manufactured to meet the requirements of ANSI/IEEE C57.13.



**APPLICATION:**  
Metering and relaying.

**FREQUENCY:**  
50-400 Hz.

**MAXIMUM SYSTEM VOLTAGE:**  
36.5kV, BIL 150kV full wave.

**CONTINUOUS THERMAL  
CURRENT RATING FACTOR:**  
1.50 at 30°C amb., 1.33 at 55°C amb.

Primary terminals are 1/2-13 bolts  
with one Belleville washer.

Secondary terminals are brass screws No. 10-32  
with one flatwasher and lockwasher.

Vacuum cast polyurethane resin.

Approximate weight: T100 - 125 lbs.  
T200 - 155 lbs.

**Note:** 200 kV BIL is available for 600:5 only.

**CAUTION:** Use only the Belleville washers supplied. Tighten to between 25 to 30 foot-pounds. DO NOT OVERTIGHTEN.

CATALOG NUMBER	CURRENT RATIO	RELAY CLASS	ANSI METERING CLASS					THERMAL CURRENT RATING 1 SECOND RMS AMPS
			AT 60 Hz					
			B0.1	B0.2	B0.5	B0.9	B1.8	
CTW7-150-T100-100	10:5	T100	0.3	0.3	0.3	0.3	0.6	900*
CTW7-150-T100-150	15:5	T100	0.3	0.3	0.3	0.3	0.6	1700*
CTW7-150-T100-250	25:5	T100	0.3	0.3	0.3	0.3	0.6	2700*
CTW7-150-T100-500	50:5	T100	0.3	0.3	0.3	0.3	0.6	4700*
CTW7-150-T100-750	75:5	T100	0.3	0.3	0.3	0.3	0.6	12900*
CTW7-150-T100-101	100:5	T100	0.3	0.3	0.3	0.3	0.6	12900*
CTW7-150-T100-151	150:5	T100	0.3	0.3	0.3	0.3	0.6	23000*
CTW7-150-T100-201	200:5	T100	0.3	0.3	0.3	0.3	0.6	28200*
CTW7-150-T100-301	300:5	T100	0.3	0.3	0.3	0.3	0.6	48900*
CTW7-150-T100-401	400:5	T100	0.3	0.3	0.3	0.3	0.6	66200*
CTW7-150-T100-601	600:5	T100	0.3	0.3	0.3	0.3	0.6	66200*

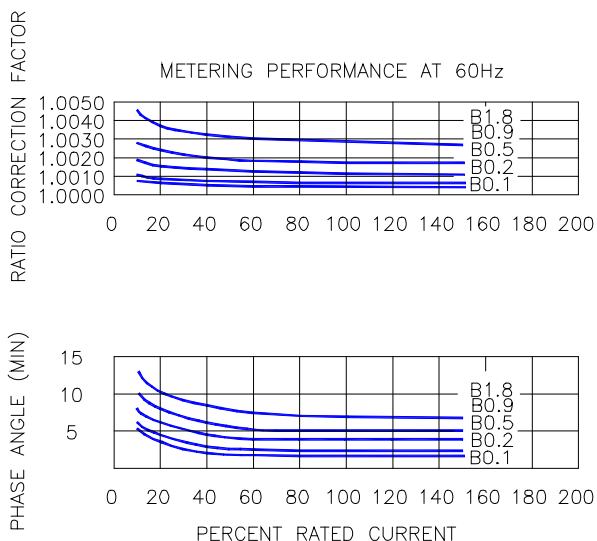
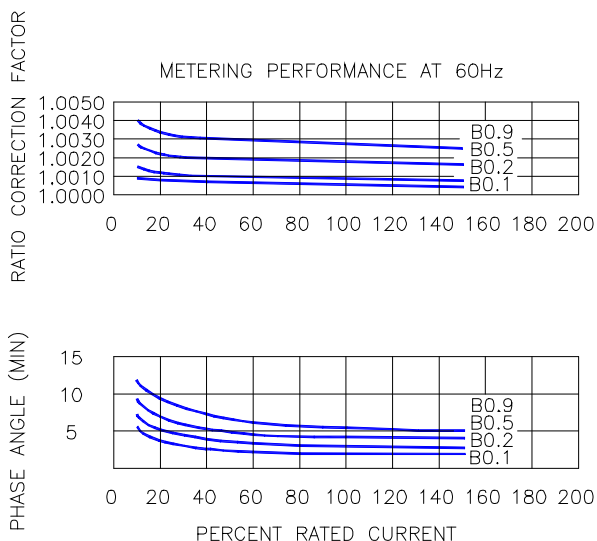
\*With a burden of B0.2 or greater connected to the secondary.

CTW7-150-T200-100	10:5	T200	0.3	0.3	0.3	0.3	0.3	900**
CTW7-150-T200-150	15:5	T200	0.3	0.3	0.3	0.3	0.3	1700**
CTW7-150-T200-250	25:5	T200	0.3	0.3	0.3	0.3	0.3	2700**
CTW7-150-T200-500	50:5	T200	0.3	0.3	0.3	0.3	0.3	4700**
CTW7-150-T200-750	75:5	T200	0.3	0.3	0.3	0.3	0.3	12900**
CTW7-150-T200-101	100:5	T200	0.3	0.3	0.3	0.3	0.3	12900**
CTW7-150-T200-151	150:5	T200	0.3	0.3	0.3	0.3	0.3	23000**
CTW7-150-T200-201	200:5	T200	0.3	0.3	0.3	0.3	0.3	28200**
CTW7-150-T200-301	300:5	T200	0.3	0.3	0.3	0.3	0.3	48900**
CTW7-150-T200-401	400:5	T200	0.3	0.3	0.3	0.3	0.3	66200**
CTW7-150-T200-601	600:5	T200	0.3	0.3	0.3	0.3	0.3	66200**

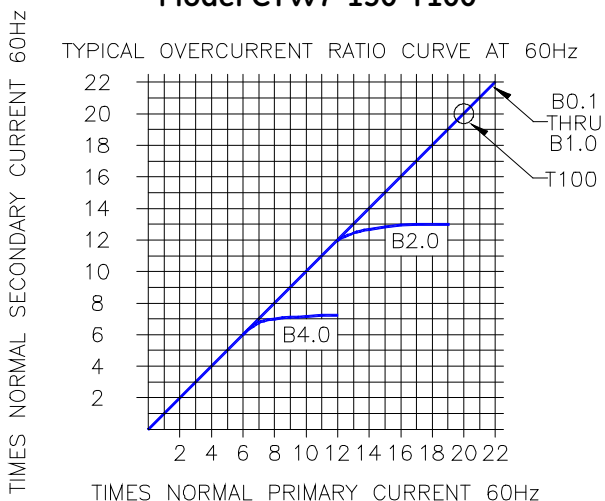
\*\*With a burden of B0.5 or greater connected to the secondary.

Approved for revenue metering by Industry Canada No. AE-0637 Rev. 1

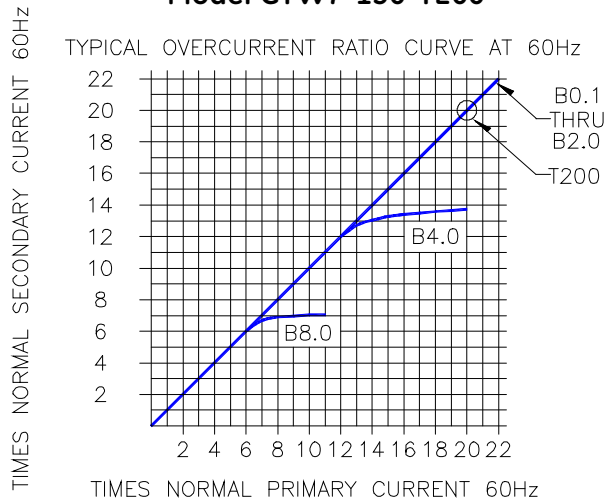
# Model CTW7-150 Wound Primary CT



## Model CTW7-150-T100



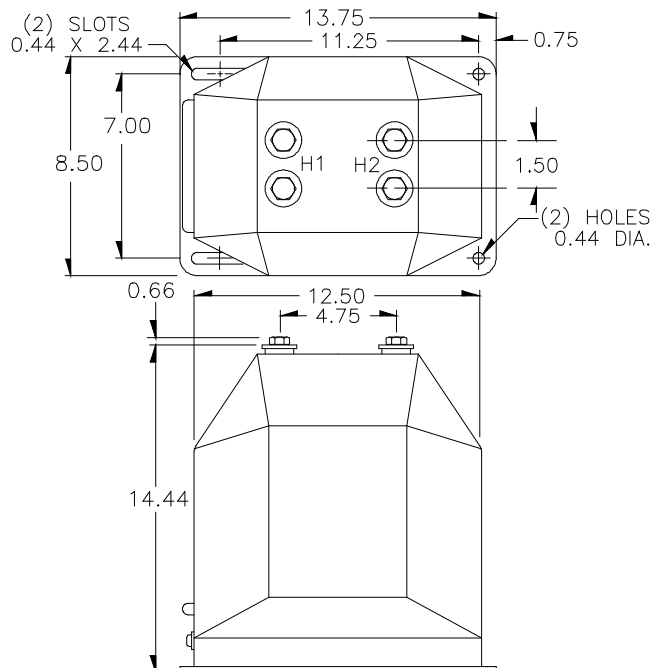
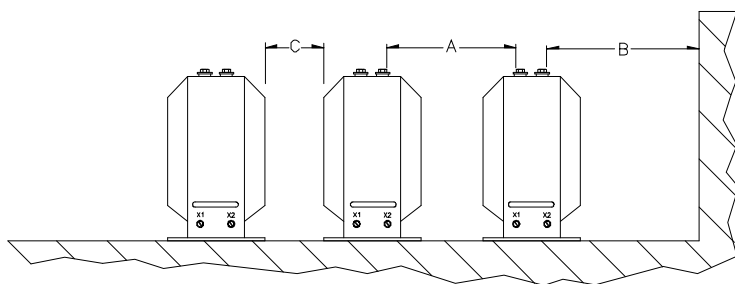
## Model CTW7-150-T200



### RECOMMENDED MINIMUM SPACINGS

- A** = HV to HV = 11.50" minimum.
- B** = HV to Ground in Air = 11.50" minimum.
- C** = Unit to Unit = 2.00" minimum.

Recommended spacing are for guidance only. User needs to set appropriate values to assure performance for high potential test, impulse test, high humidity, partial discharge, high altitude, and other considerations like configuration.



**USA, Canada, Asia, Latin America**

Tel: +1-800-547-8629

Fax: +1-905-201-2455

e-mail: [sales.multilin@ge.com](mailto:sales.multilin@ge.com)

**Europe, Middle East, Africa**

Tel: +34-94-485-88-00

Fax: +34-94-485-88-45

e-mail: [gmultilin.euro@ge.com](mailto:gmultilin.euro@ge.com)