

# Models CTW5-L-110 & CTWH5-L-110

## Wound Primary Current Transformers Medium Voltage

### Application

Metering and relaying.

### Frequency

50-400 Hz

### Maximum System Voltage

15.5 kV, BIL 110 kV.

### Continuous Thermal Rating Factor

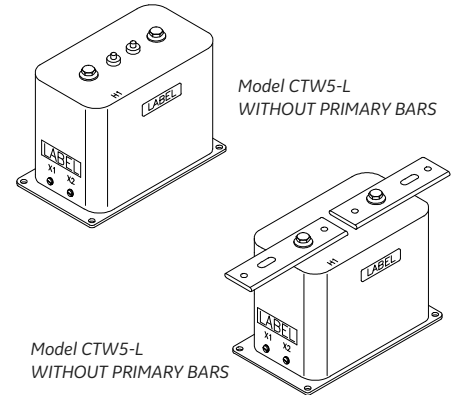
1.00 at 30 °C., 0.85 at 55 °C.

### Specifications

Primary terminals are 1/2-13 bolts with one Belleville washer. Secondary terminals are brass screws No. 10-32 with one flatwasher, lockwasher.

Vacuum cast in polyurethane resin.  
Other ratios, secondary currents and dual ratios are available. Refer to factory.

Approximate weight 34 lbs.



#### REGULATORY AGENCY APPROVALS



## Models CTW5-L-110 & CTWH5-L-110

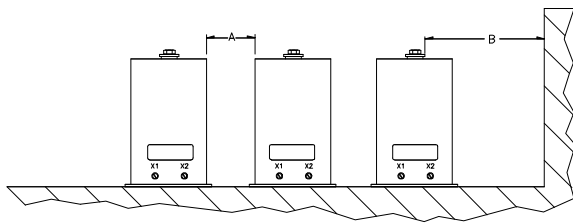
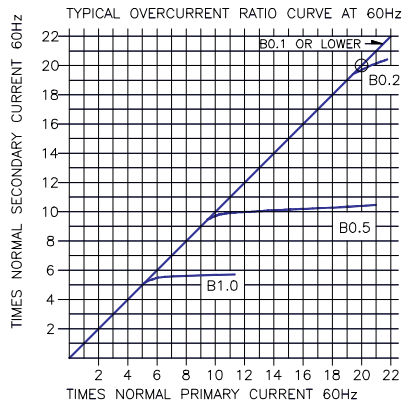
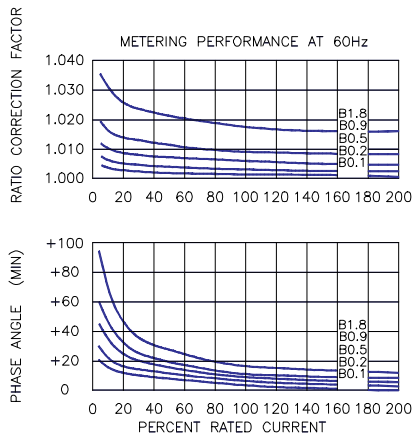
**CAUTION:** Use only the Belleville washers supplied. Tighten to between 25 to 30 foot-pounds. DO NOT OVERTIGHTEN

Catalog Number	Current Ratio	Relay Class	ANSI Metering Class at 60 Hz					** Thermal Current Rating 1 Second RMS Amps
			BO.1	BO.2	BO.5	BO.9	B1.8	
CTW5-L-110-T20-050	5:5	T20	0.3	0.3	0.6	1.2	2.4	375
CTW5-L-110-T20-100	10:5	T20	0.3	0.3	0.6	1.2	2.4	590
CTW5-L-110-T20-150	15:5	T20	0.3	0.3	0.6	1.2	2.4	1,200
CTW5-L-110-T20-250	25:5	T20	0.3	0.3	0.6	1.2	2.4	1,700
CTW5-L-110-T20-300	30:5	T20	0.3	0.3	0.6	1.2	2.4	1,700
CTW5-L-110-T20-400	40:5	T20	0.3	0.3	0.6	1.2	2.4	2,400
CTW5-L-110-T20-500	50:5	T20	0.3	0.3	0.6	1.2	2.4	4,715
CTW5-L-110-T20-750	75:5	T25	0.3	0.3	0.6	1.2	2.4	4,715
CTW5-L-110-T20-101	100:5	T25	0.3	0.3	0.6	1.2	2.4	8,625
CTW5-L-110-T20-151	150:5	T25	0.3	0.3	0.6	1.2	2.4	11,500
CTW5-L-110-T20-201	200:5	T30	0.3	0.3	0.6	1.2	2.4	11,500
CTW5-L-110-T20-251	250:5	T20	0.3	0.3	0.6	1.2	2.4	21,700
CTW5-L-110-T20-301	300:5	T25	0.3	0.3	0.6	1.2	2.4	21,700
CTW5-L-110-T20-401	400:5	T30	0.3	0.3	0.6	1.2	2.4	44,700
CTW5-L-110-T20-501	500:5	T35	0.3	0.3	0.3	0.6	1.2	44,700
CTW5-L-110-T20-601	600:5	T40	0.3	0.3	0.3	0.6	1.2	44,700

\*For ordering with primary bars, change model number to CTWH5-L.  
A test card is provided with each unit.



# Models CTW5-L-110 & CTWH5-L-110 Wound Primary CT



### RECOMMENDED MINIMUM SPACINGS

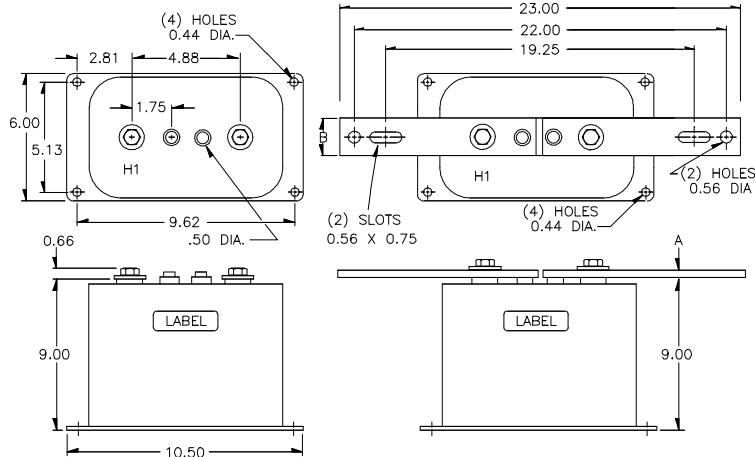
**A** = Unit to Unit = 2.00" minimum.

**B** = HV to Ground in Air = 6.50" minimum.

Recommended spacing are for guidance only. User needs to set appropriate values to assure performance for high potential test, impulse test, high humidity, partial discharge, high altitude, and other considerations like configuration.

### Bar Sizes

Primary Current	Dimensions	
	A	B
5 to 200 A	0.25	1.50
250 to 1,200A	0.38	2.00



### GEGridSolutions.com

Grid-AIS-L4-ITI\_Model\_CTW5L-1433-2017\_06-EN. © Copyright 2017. General Electric Company and Instrument Transformers LLC reserve the right to change specifications of described products at any time without notice and without obligation to notify any person of such changes.

### Worldwide Contact Center

Web: [www.GEGridSolutions.com/contact](http://www.GEGridSolutions.com/contact)

Phone: +44 (0) 1785 250 070

USA and Canada: +1 (0) 800 547 8629

Europe, Middle East and Africa: +34 (0) 94 485 88 00

