

Models CPT3-60-15 & CPT5-95-15

Medium Voltage Control Power Transformers

Application

To provide control power in medium voltage switchgear.

Frequency

60 Hz.

Insulation Level

CPT3: 5 kV, 60 kV BIL full wave.
CPT5: 15 kV, 95 kV BIL full wave.

Thermal Factor

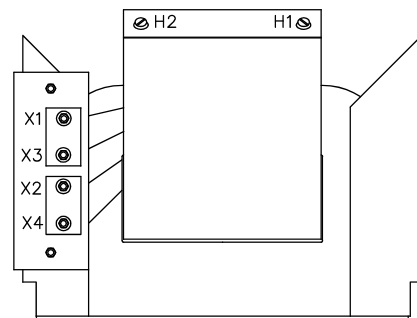
15 kVA at 30°C ambient.
12.9 kVA at 55°C ambient.

Primary terminals are brass screws 1/4-20 with one flatwasher and starwasher.

Secondary terminals are brass studs 1/2-13 with one flatwasher, lockwasher and two nuts, plus series/parallel links.

Supplied with $1 \pm 7 \frac{1}{2}\%$ or $2 \pm 2 \frac{1}{2}\%$ taps above and below nominal voltage on the primary winding.

Windings are encapsulated in epoxy resin.
Mounting base is steel.
Assembly is varnish coated.
Available as unfused only.
Self cooled.
For indoor use.
Approximate weight 290 lbs.



Models CPT3-60-15 & CPT5-95-15

*Catalog Number	Primary Voltage (V)	Ratio	Secondary Voltage (V)	*Fuse Rating
CPT3-60-15-242**	2400	20:1	120/240	15E
CPT3-60-15-4161**	4160	34.7:1	120/240	10E
CPT3-60-15-482**	4800	40:1	120/240	10E
CPT5-95-15-722**	7200	60:1	120/240	7E
CPT5-95-15-842**	8400	70:1	120/240	7E
CPT5-95-15-123**	12000	100:1	120/240	5E
CPT5-95-15-1242**	12470	104:1	120/240	5E
CPT5-95-15-1322**	13200	110:1	120/240	5E
CPT5-95-15-1382**	13800	115:1	120/240	5E
CPT5-95-15-1442**	14400	120:1	120/240	5E

*Note all fuse rating are based on NEC transformer overcurrent protection recommendations. Specific applications may require other other ratings.

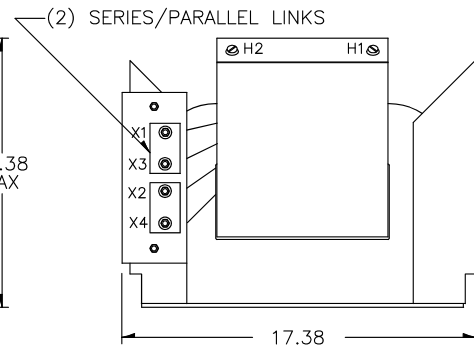
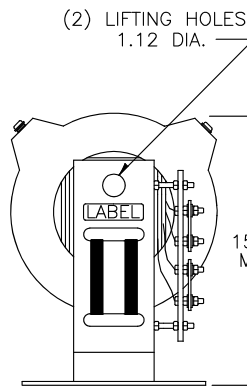
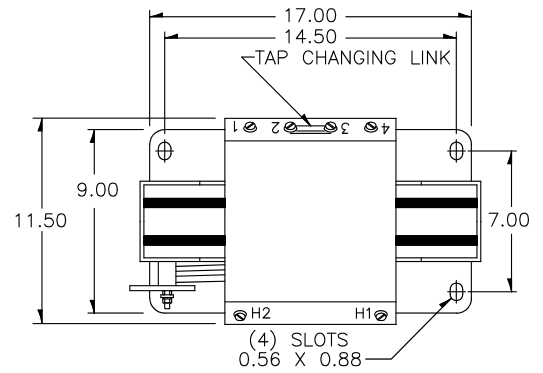
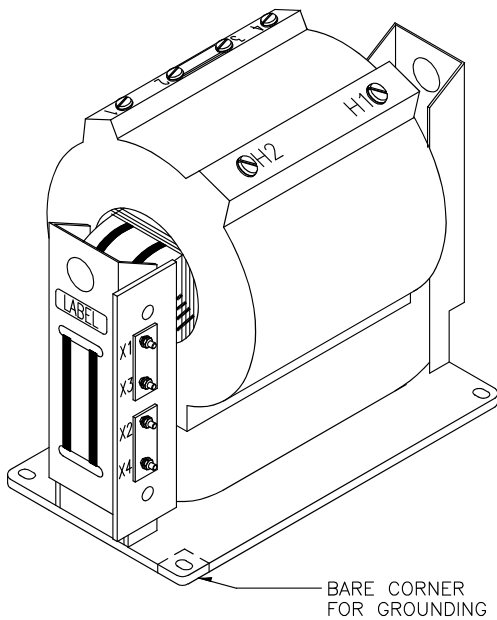
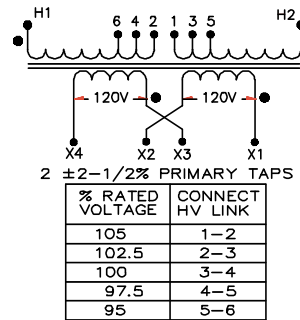
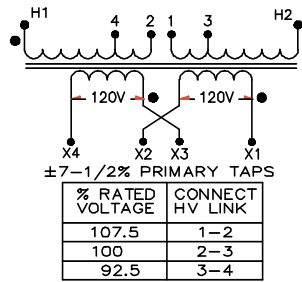
**For $1 \pm 7 \frac{1}{2}\%$ taps use suffix "A" after Catalog No.

**For $2 \pm 2 \frac{1}{2}\%$ taps use suffix "B" after Catalog No.



Models CPT3-60-15 & CPT5-95-15

Connection Diagrams



GEGridSolutions.com

Grid-AIS-L4-ITL_Model_CPT3_60_15-1085-2017_06-EN. © Copyright 2017. General Electric Company and Instrument Transformers LLC reserve the right to change specifications of described products at any time without notice and without obligation to notify any person of such changes.

Worldwide Contact Center

Web: www.GEGridSolutions.com/contact

Phone: +44 (0) 1785 250 070

USA and Canada: +1 (0) 800 547 8629

Europe, Middle East and Africa: +34 (0) 94 485 88 00

