

# Model CPT3-60-1.0

## Control Power Transformer Medium Voltage

### Application

To provide control power in distribution equipment and motor starters.

### Frequency

See below.

### Insulation Level

5 kV, 60 kV BIL full wave.

### Thermal Factor

See table.

Primary and secondary terminals are brass screws No. 10-32 with one flatwasher and lockwasher.

Windings are encapsulated in epoxy resin.

Mounting base is steel.

Assembly is varnish coated.

Corrosion resistant mounting base provided.

For indoor use.

Approximate weight 40 lbs.



Shown without Fuses

### REGULATORY AGENCY APPROVALS



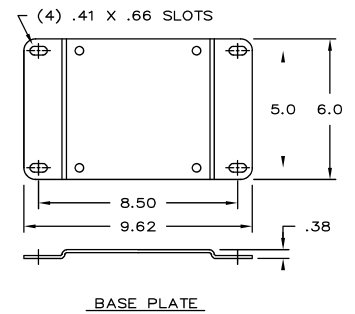
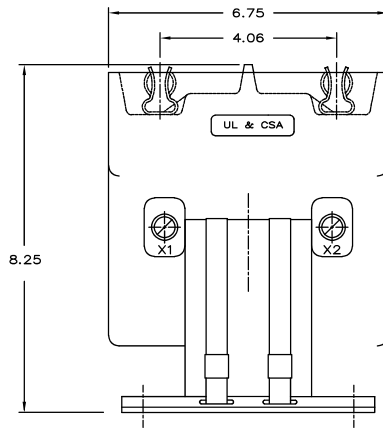
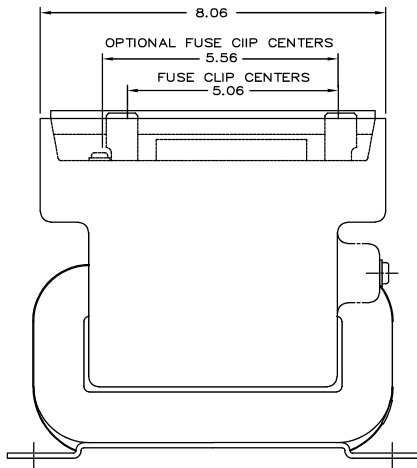
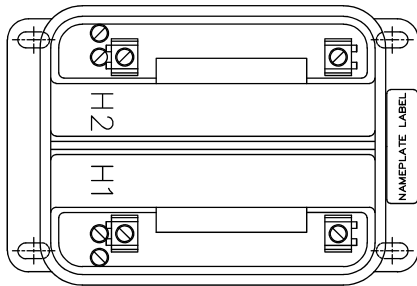
### Model CPT3-60-1.0

*Catalog Number	Primary Voltage	Ratio	Secondary Voltage	Frequency	Thermal Rating 30 °C Amb	Primary Fuse
CPT3-60-1.0-242FF	2,400 V	20:1	120 V	60 Hz	1.0 kVA	2E
CPT3-60-1.0-332FF	3,300 V	30:1	110 V	50 Hz	0.8 kVA	2E
CPT3-60-1.0-4161FF	4,160 V	34.7:1	120 V	60 Hz	1.0 kVA	2E
CPT3-60-1.0-482FF	4,800 V	40:1	120 V	60 Hz	1.0 kVA	2E

\*For fuse clips only, change FF to CC.



# Model CPT3-60-1.0



## [GEGridSolutions.com](http://GEGridSolutions.com)

ITL\_Model\_CPT3\_60\_1.0-Spec-EN-2020\_07-Grid-AIS-1082. © Copyright 2020. General Electric Company and Instrument Transformers LLC reserve the right to change specifications of described products at any time without notice and without obligation to notify any person of such changes.

### Worldwide Contact Center

Web: [www.GEGridSolutions.com/contact](http://www.GEGridSolutions.com/contact)

Phone: +44 (0) 1785 250 070

USA and Canada: +1 (0) 800 547 8629

Europe, Middle East and Africa: +34 (0) 94 485 88 00

