

GE

Energy Connections

Model 792

Current Transformer Window Diameter 4.00"

Application

Relaying and metering.

Frequency

50-400 Hz.

Insulation Level

0.6 kV, BIL 10 kV full wave.

Continuous Thermal Current Rating Factor

Secondary terminals are brass screws No. 10-32 with one flatwasher and lockwasher.

Approximate weight 16 lbs.



REGULATORY AGENCY APPROVALS



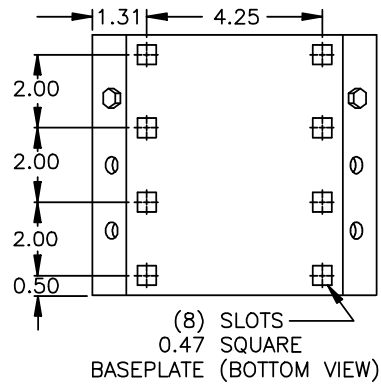
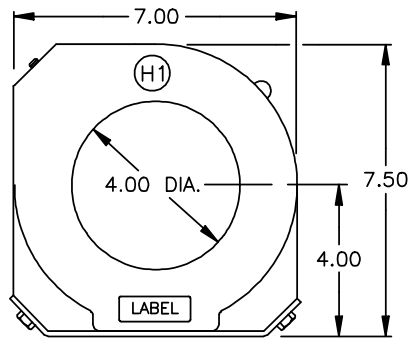
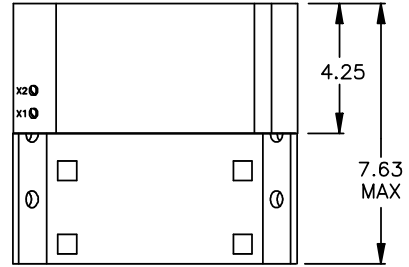
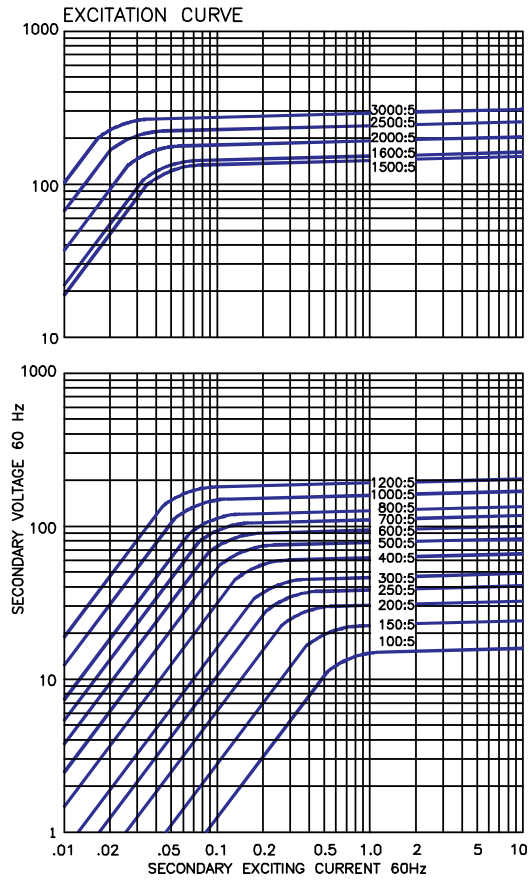
Manufactured to meet the requirements of ANSI/IEEE C57.13.
Classified by U.L. in accordance with IEC 44-1

Model 792

Catalog Number	Current Ratio	Relay Class	ANSI Metering Class at 60 Hz					Secondary Winding Resistance (Ω @ 75 °C)	Continuous Thermal Current Rating Factor @ 30 °C
			BO.1	BO.2	BO.5	BO.9	B1.8		
792-101	100:5	C10	1.2	1.2	4.8	4.8	—	0.036	2.0
792-151	150:5	C20	0.6	0.6	1.2	2.4	4.8	0.052	2.0
792-201	200:5	C20	0.6	0.6	0.6	1.2	2.4	0.077	2.0
792-251	250:5	C20	0.3	0.3	0.6	1.2	2.4	0.097	2.0
792-301	300:5	C20	0.3	0.3	0.3	0.6	1.2	0.116	2.0
792-401	400:5	C50	0.3	0.3	0.3	0.3	0.6	0.155	2.0
792-501	500:5	C50	0.3	0.3	0.3	0.3	0.6	0.213	2.0
792-601	600:5	C50	0.3	0.3	0.3	0.3	0.6	0.256	2.0
792-751	750:5	C100	0.3	0.3	0.3	0.3	0.3	0.320	1.5
792-801	800:5	C100	0.3	0.3	0.3	0.3	0.3	0.341	1.5
792-102	1000:5	C100	0.3	0.3	0.3	0.3	0.3	0.536	1.5
792-122	1200:5	C100	0.3	0.3	0.3	0.3	0.3	1.019	1.0
792-152	1500:5	C100	0.3	0.3	0.3	0.3	0.3	0.60	1.33
792-162	1600:5	C100	0.3	0.3	0.3	0.3	0.3	0.64	1.33
792-202	2000:5	C100	0.3	0.3	0.3	0.3	0.3	0.99	1.0
792-252	2500:5	C100	0.3	0.3	0.3	0.3	0.3	1.29	1.0
792-302	3000:5	C100	0.3	0.3	0.3	0.3	0.3	1.55	1.0



Model 792



GEGridSolutions.com

Grid-AIS-L4-ITL_Model_792-1371-2017_06-EN. © Copyright 2017. General Electric Company and Instrument Transformers LLC reserve the right to change specifications of described products at any time without notice and without obligation to notify any person of such changes.

Worldwide Contact Center

Web: www.GEGridSolutions.com/contact

Phone: +44 (0) 1785 250 070

USA and Canada: +1 (0) 800 547 8629

Europe, Middle East and Africa: +34 (0) 94 485 88 00

