

# Model 780I

**Current Transformer - IEC Rated 50 Hz  
Window Diameter 165 mm**

## Application

Protective and measuring.

## Frequency

50-400 Hz.

## Insulation Level

0.72 kV.

## Continuous Thermal Current Rating Factor

Secondary terminals are brass screws  
ASA 10-32 with one flatwasher and  
lockwasher, accessible from either side.

Approximate weight 13.6 kg.

Excitation data available upon request.



### REGULATORY AGENCY APPROVALS



Manufactured to meet the requirements of ANSI/IEEE C57.13.  
Classified by U.L. in accordance with IEC 44-1

## Model 780I

1 AMP SECONDARY

Catalog Number	Current Ratio	IEC 44-1 Protection Class at 50 Hz					IEC 44-1 Measuring Class at 50 Hz					Continuous Thermal Rating Factor 30 °C
		Burden VA					Burden VA					
		2.5	5	10	15	30	2.5	5	10	15	30	
780I-500-1	50:1	<b>10P10</b>	-	-	-	-	3.0	<b>3.0</b>	-	-	-	1.0
780I-750-1	75:1	<b>10P15</b>	10P5	-	-	-	3.0	<b>3.0</b>	-	-	-	1.0
780I-101-1	100:1	<b>10P20</b>	10P10	10P5	-	-	3.0	3.0	<b>3.0</b>	-	-	1.0
780I-151-1	150:1	<b>5P30</b>	5P15	5P5	10P5	-	<b>0.5</b>	1.0	3.0	3.0	3.0	1.0
780I-201-1	200:1	5P30	<b>5P20</b>	5P10	5P5	-	0.5	<b>0.5</b>	1.0	1.0	3.0	1.0
780I-251-1	250:1	5P30	5P30	<b>10P15</b>	10P10	10P5	0.5	0.5	<b>0.5</b>	1.0	1.0	1.0
780I-301-1	300:1	5P30	5P30	5P15	<b>5P10</b>	5P5	0.5	0.5	0.5	<b>0.5</b>	1.0	1.0
780I-401-1	400:1	5P30	<b>5P30</b>	10P25	10P15	5P5	0.2	<b>0.2</b>	0.5	0.5	0.5	1.0
780I-501-1	500:1	5P30	5P30	<b>10P25</b>	10P20	10P10	0.2	0.2	<b>0.2</b>	0.5	0.5	1.0
780I-601-1	600:1	5P30	5P30	<b>10P25</b>	10P15	5P5	0.2	0.2	<b>0.2</b>	0.5	0.5	1.0
780I-751-1	750:1	5P30	5P30	10P30	<b>10P20</b>	10P10	0.2	0.2	0.2	<b>0.2</b>	0.5	1.0
780I-801-1	800:1	5P30	5P30	10P30	<b>10P20</b>	10P10	0.2	0.2	0.2	<b>0.2</b>	0.5	1.0
780I-102-1	1,000:1	5P30	5P30	10P30	10P20	<b>5P10</b>	0.2	0.2	0.2	0.2	<b>0.2</b>	1.0
780I-122-1	1,200:1	5P30	5P30	10P30	10P25	<b>10P15</b>	0.2	0.2	0.2	0.2	<b>0.2</b>	1.0
780I-152-1	1,500:1	5P30	5P30	5P30	10P30	<b>5P15</b>	0.2	0.2	0.2	0.2	<b>0.2</b>	1.0
780I-162-1	1,600:1	5P30	5P30	5P30	10P30	<b>10P20</b>	0.2	0.2	0.2	0.2	<b>0.2</b>	1.0
780I-202-1	2,000:1	5P30	5P30	5P30	10P30	<b>5P20</b>	0.2	0.2	0.2	0.2	<b>0.2</b>	1.0
780I-252-1	2,500:1	5P30	5P30	10P30	10P25	<b>5P15</b>	0.2	0.2	0.2	0.2	<b>0.2</b>	1.0
780I-302-1	3,000:1	5P30	5P30	5P30	10P30	<b>10P20</b>	0.2	0.2	0.2	0.2	<b>0.2</b>	1.0
780I-322-1	3,200:1	5P30	5P30	5P30	10P30	<b>10P20</b>	0.2	0.2	0.2	0.2	<b>0.2</b>	1.0
780I-352-1	3,500:1	5P30	5P30	5P30	10P30	<b>10P20</b>	0.2	0.2	0.2	0.2	<b>0.2</b>	1.0
780I-402-1	4,000:1	5P30	5P30	5P30	10P30	<b>5P20</b>	0.2	0.2	0.2	0.2	<b>0.2</b>	1.0

Note: Nameplate Ratings Bold Faced

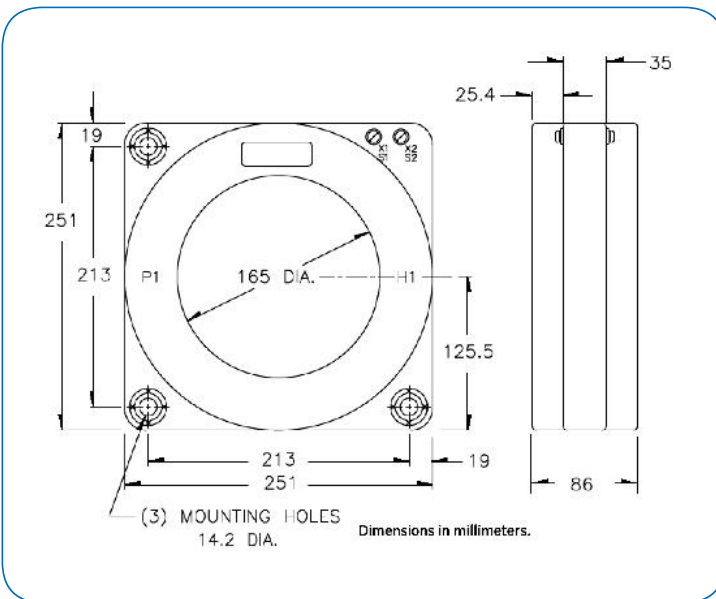


# Model 780I

5 AMP SECONDARY

Catalog Number	Current Ratio	IEC 60044-1 Protection Class at 50 Hz					IEC 60044-1 Measuring Class at 50 Hz					Continuous Thermal Rating Factor 30 °C
		Burden VA					Burden VA					
		2.5	5	10	15	30	2.5	5	10	15	30	
780I-500-5	50:5	-	-	-	-	-	<b>5.0</b>	-	-	-	-	2.0
780I-750-5	75:5	10P15	<b>10P5</b>	-	-	-	3.0	<b>3.0</b>	-	-	-	2.0
780I-101-5	100:5	<b>10P15</b>	10P10	10P5	-	-	<b>3.0</b>	3.0	3.0	-	-	2.0
780I-151-5	150:5	<b>5P20</b>	10P10	10P5	-	-	<b>1.0</b>	3.0	3.0	-	-	2.0
780I-201-5	200:5	<b>5P20</b>	5P15	5P10	10P5	-	<b>0.5</b>	1.0	1.0	3.0	-	2.0
780I-251-5	250:5	5P30	<b>5P20</b>	5P10	5P5	-	0.5	<b>0.5</b>	1.0	1.0	3.0	2.0
780I-301-5	300:5	5P30	5P30	<b>5P15</b>	5P10	5P5	0.5	0.5	<b>0.5</b>	1.0	1.0	2.0
780I-401-5	400:5	5P30	5P30	<b>5P20</b>	5P15	5P5	<b>0.2</b>	0.5	0.5	1.0	1.0	2.0
780I-501-5	500:5	5P30	<b>5P30</b>	5P20	5P20	5P10	0.2	<b>0.2</b>	0.5	0.5	1.0	2.0
780I-601-5	600:5	5P30	5P30	<b>5P30</b>	5P20	5P10	0.2	0.2	<b>0.2</b>	0.5	0.5	2.0
780I-751-5	750:5	5P30	5P30	5P30	<b>5P20</b>	5P15	0.2	0.2	0.2	<b>0.2</b>	0.5	2.0
780I-801-5	800:5	5P30	5P30	5P30	5P30	<b>5P15</b>	0.2	0.2	0.2	0.2	<b>0.2</b>	2.0
780I-102-5	1,000:5	5P30	5P30	5P30	5P30	<b>5P20</b>	0.2	0.2	0.2	0.2	<b>0.2</b>	2.0
780I-122-5	1,200:5	5P30	5P30	5P30	5P30	<b>5P20</b>	0.2	0.2	0.2	0.2	<b>0.2</b>	2.0
780I-152-5	1,500:5	5P30	5P30	5P30	5P30	<b>5P20</b>	0.2	0.2	0.2	0.2	<b>0.2</b>	1.5
780I-162-5	1,600:5	5P30	5P30	5P30	5P30	<b>5P30</b>	0.2	0.2	0.2	0.2	<b>0.2</b>	1.5
780I-202-5	2,000:5	5P30	5P30	5P30	5P30	<b>5P20</b>	0.2	0.2	0.2	0.2	<b>0.2</b>	1.5
780I-252-5	2,500:5	5P30	5P30	5P30	5P30	<b>5P30</b>	0.2	0.2	0.2	0.2	<b>0.2</b>	1.5
780I-302-5	3,000:5	5P30	5P30	5P30	5P30	<b>5P30</b>	0.2	0.2	0.2	0.2	<b>0.2</b>	1.33
780I-322-5	3,200:5	5P30	5P30	5P30	5P30	<b>5P20</b>	0.2	0.2	0.2	0.2	<b>0.2</b>	1.5
780I-352-5	3,500:5	5P30	5P30	5P30	5P30	<b>5P20</b>	0.2	0.2	0.2	0.2	<b>0.2</b>	1.5
780I-402-5	4,000:5	5P30	5P30	5P30	5P30	<b>5P20</b>	0.2	0.2	0.2	0.2	<b>0.2</b>	1.0

Note: Nameplate Ratings Bold Faced



[GEGridSolutions.com](http://GEGridSolutions.com)

Grid-AIS-L4-ITL\_Model\_780I-1153-2017\_06-EN. © Copyright 2017. General Electric Company and Instrument Transformers LLC reserve the right to change specifications of described products at any time without notice and without obligation to notify any person of such changes.

### Worldwide Contact Center

Web: [www.GEGridSolutions.com/contact](http://www.GEGridSolutions.com/contact)

Phone: +44 (0) 1785 250 070

USA and Canada: +1 (0) 800 547 8629

Europe, Middle East and Africa: +34 (0) 94 485 88 00

