

Model 687

Current Transformer Window Diameter 7.62"

Application

Relaying and metering.

Frequency

50-400 Hz.

Insulation Level

0.6 kV, BIL 10 kV full wave.

Continuous Thermal Current Rating Factor

50:5 thru 2,000:5: 2.0 at 30 °C. amb.,
1.5 at 55 °C. amb.
2,500:5 thru 3,500:5: 1.33 at 30 °C. amb.,
1.0 at 55 °C. amb.
4,000:5: 1.0 at 30 °C. amb.,
0.75 at 55 °C. amb.

Secondary terminals are brass screws
No. 10-32 with one flatwasher and
lockwasher.

Multi-ratios available on request.
Consult Factory.

Approximate weight 55 lbs



Gray Case

REGULATORY AGENCY APPROVALS



Manufactured to meet the requirements of ANSI/IEEE C57.13.
Classified by U.L. in accordance with IEC 44-1

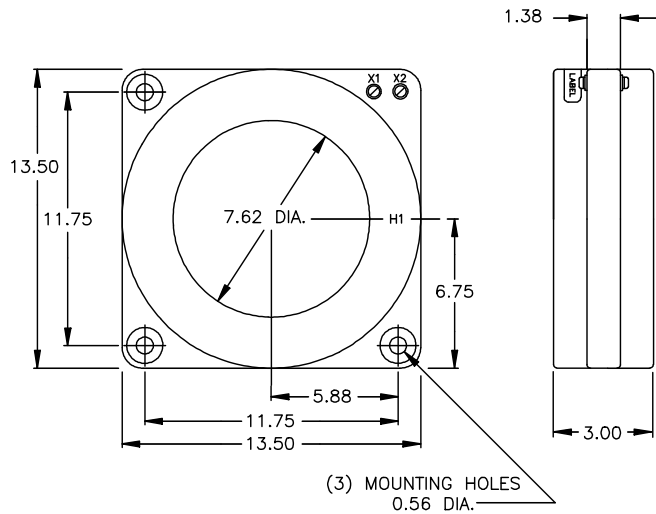
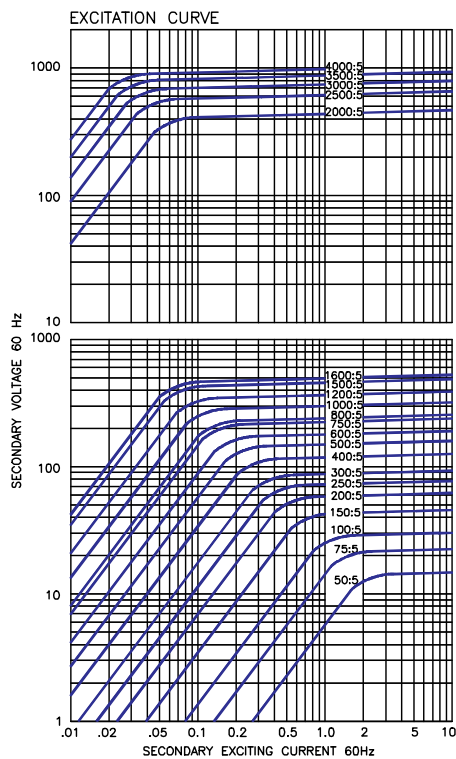
Model 687

Catalog Number	Current Ratio	Relay Class	ANSI Metering Class at 60 Hz					Secondary Winding Resistance (Ω @ 75 °C)
			B0.1	B0.2	B0.5	B0.9	B1.8	
687-500	50:5	C10	4.8	—	—	—	—	0.018
687-750	75:5	C15	2.4	4.8	—	—	—	0.027
687-101	100:5	C20	2.4	2.4	4.8	—	—	0.036
687-151	150:5	C35	1.2	1.2	2.4	4.8	4.8	0.055
*687-201	200:5	C50	0.6	1.2	1.2	2.4	4.8	0.073
*687-251	250:5	C70	0.6	0.6	1.2	1.2	2.4	0.091
*687-301	300:5	C90	0.3	0.6	0.6	1.2	2.4	0.109
*687-351	350:5	C100	0.3	0.3	0.6	1.2	1.2	0.127
*687-401	400:5	C120	0.3	0.3	0.6	0.6	1.2	0.146
*687-501	500:5	C150	0.3	0.3	0.3	0.6	0.6	0.182
*687-601	600:5	C200	0.3	0.3	0.3	0.6	0.6	0.218
*687-751	750:5	C230	0.3	0.3	0.3	0.6	0.6	0.273
*687-801	800:5	C250	0.3	0.3	0.3	0.3	0.3	0.291
*687-102	1,000:5	C300	0.3	0.3	0.3	0.3	0.3	0.446
*687-122	1,200:5	C400	0.3	0.3	0.3	0.3	0.3	0.535
*687-152	1,500:5	C440	0.3	0.3	0.3	0.3	0.3	0.669
*687-162	1,600:5	C450	0.3	0.3	0.3	0.3	0.3	0.714
*687-202	2,000:5	C450	0.3	0.3	0.3	0.3	0.3	0.832
*687-252	2,500:5	C550	0.3	0.3	0.3	0.3	0.3	1.040
*687-302	3,000:5	C800	0.3	0.3	0.3	0.3	0.3	1.248
*687-352	3,500:5	C800	0.3	0.3	0.3	0.3	0.3	1.827
*687-402	4,000:5	C800	0.3	0.3	0.3	0.3	0.3	2.617

Approved for revenue metering by Industry Canada No. AE-0645(*)



Model 687



GEGridSolutions.com

Grid-AIS-L4-ITL_Model_687-1362-2017_08-EN. © Copyright 2017. General Electric Company and Instrument Transformers LLC reserve the right to change specifications of described products at any time without notice and without obligation to notify any person of such changes.

Worldwide Contact Center

Web: www.GEGridSolutions.com/contact

Phone: +44 (0) 1785 250 070

USA and Canada: +1 (0) 800 547 8629

Europe, Middle East and Africa: +34 (0) 94 485 88 00

