

Model 624

Current Transformer Window Diameter 5.25"

Application

Relaying and metering.

Frequency

50-400 Hz.

Insulation Level

600 Volts, 10 kV BIL full wave.

Continuous Thermal Current Rating Factor

50:5-3200:5: 1.33 at 30°C. amb., 1.0 at 55°C. amb.

4000:5: 1.0 at 30°C. amb., 0.8 at 55°C. amb.

5000:5: 0.8 at 30°C. amb., 0.6 at 55°C. amb.

Secondary terminals are brass screws No. 10-32 with one flatwasher, lockwasher, accessible from either side.

Multi-ratios available on request.
Consult Factory

Approximate weight 68 lbs.



REGULATORY AGENCY APPROVALS



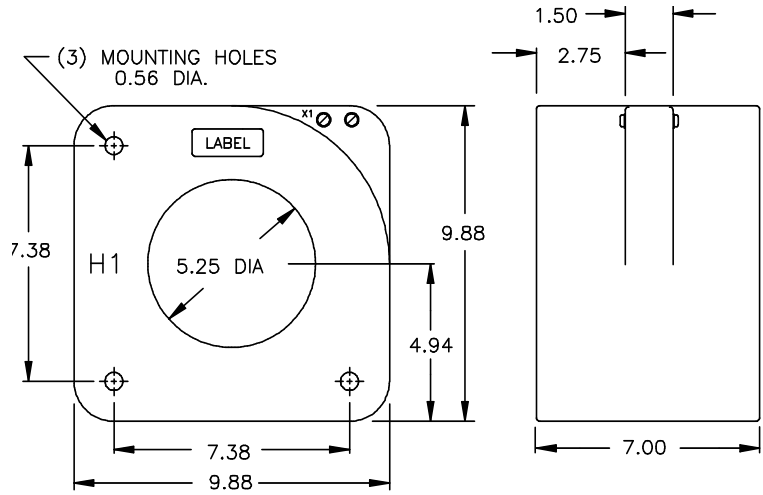
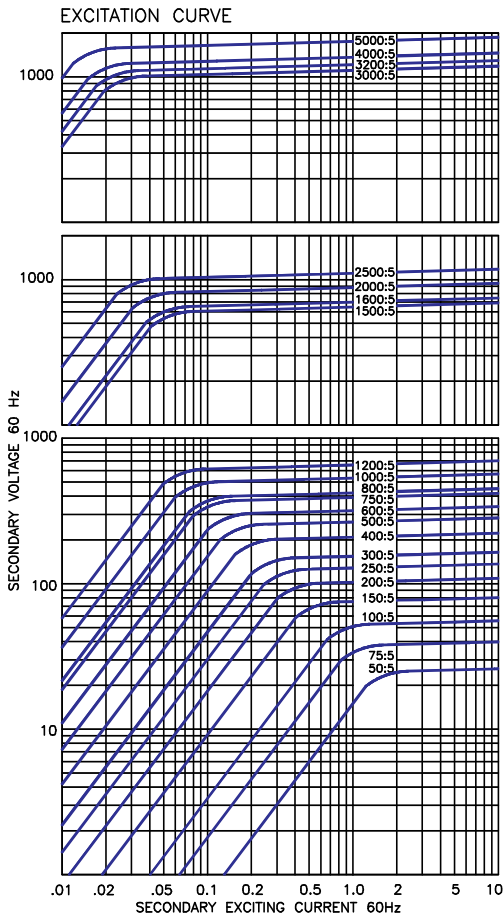
Manufactured to meet the requirements of ANSI/IEEE C57.13.
Classified by U.L. in accordance with IEC 44-1

Model 624

Catalog Number	Current Ratio	Relay Class	ANSI Metering Class at 60 HZ					Secondary Winding Resistance (Ω @ 75°C)
			B0.1	B0.2	B0.5	B0.9	B1.8	
624-500	50:5	C20	2.4	4.8	—	—	—	0.031
624-750	75:5	C20	1.2	2.4	4.8	4.8	—	0.047
624-101	100:5	C50	0.6	1.2	2.4	4.8	4.8	0.062
624-151	150:5	C50	0.6	0.6	1.2	2.4	4.8	0.096
624-201	200:5	C100	0.3	0.6	1.2	1.2	2.4	0.127
624-251	250:5	C100	0.3	0.6	0.6	1.2	2.4	0.159
624-301	300:5	C100	0.3	0.3	0.6	0.6	1.2	0.191
624-401	400:5	C200	0.3	0.3	0.3	0.3	0.6	0.255
624-501	500:5	C200	0.3	0.3	0.3	0.3	0.6	0.319
624-601	600:5	C200	0.3	0.3	0.3	0.3	0.3	0.382
624-751	750:5	C200	0.3	0.3	0.3	0.3	0.3	0.478
624-801	800:5	C200	0.3	0.3	0.3	0.3	0.3	0.510
624-102	1000:5	C400	0.3	0.3	0.3	0.3	0.3	0.637
624-122	1200:5	C400	0.3	0.3	0.3	0.3	0.3	0.765
624-152	1500:5	C400	0.3	0.3	0.3	0.3	0.3	0.918
624-162	1600:5	C400	0.3	0.3	0.3	0.3	0.3	0.979
624-202	2000:5	C400	0.3	0.3	0.3	0.3	0.3	1.224
624-252	2500:5	C800	0.3	0.3	0.3	0.3	0.3	1.529
624-302	3000:5	C800	0.3	0.3	0.3	0.3	0.3	1.702
624-322	3200:5	C800	0.3	0.3	0.3	0.3	0.3	1.912
624-402	4000:5	C800	0.3	0.3	0.3	0.3	0.3	2.185
624-502	5000:5	C800	0.3	0.3	0.3	0.3	0.3	3.428



Model 624



GEGridSolutions.com

Grid-AIS-L4-ITL_Model_624-1355-2017_06-EN. © Copyright 2017. General Electric Company and Instrument Transformers LLC reserve the right to change specifications of described products at any time without notice and without obligation to notify any person of such changes.

Worldwide Contact Center

Web: www.GEGridSolutions.com/contact

Phone: +44 (0) 1785 250 070

USA and Canada: +1 (0) 800 547 8629

Europe, Middle East and Africa: +34 (0) 94 485 88 00

