

Models 60, 61, 62

Current Transformer
Window Diameter 0.94", 1.25", 1.56"

Application

Metering.

Features

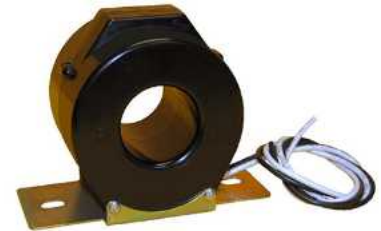
50-400 Hz

Insulation Level

600 Volts, 10 kV BIL full wave.

Terminals are brass studs No. 8-32 with one flatwasher, lockwasher and regular nut.

Flexible leads are UL 1015, 105 °C, CSA approved, #16 AWG, 24" long.



Model 62RBL



Model 60RBT

REGULATORY AGENCY APPROVALS

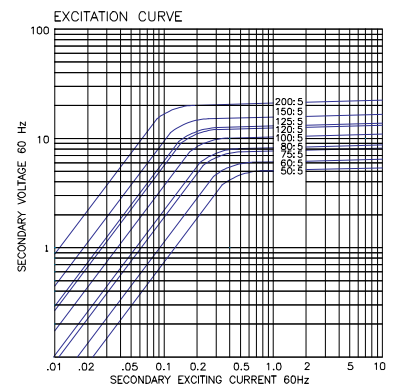
RU E93779 **SP** LR89403
 manufactured to meet the requirements of ANSI/IEEE C57.13.
 Issified by U.L. in accordance with IEC 44-1

Model 60 Window Diameter 0.94"

Approximate weight 5.25 lbs

Catalog Number	Current Ratio	V.A. ± 1% Class	ANSI Metering Class at 60 Hz					Secondary Winding Resistance (Ω @ 75 °C)	Continuous Thermal Rating Factor	
			B0.1	B0.2	B0.5	B0.9	B1.8		@ 30 °C	@ 55 °C
60**–500	50:5	2.5 ± 3% 10.0 ± 6%	1.2	4.8	—	—	—	0.018	2.0	2.0
60**–600	60:5	3.0 ± 3% 15.0 ± 6%	1.2	2.4	—	—	—	0.021	2.0	2.0
60**–750	75:5	10.0 ± 3%	0.6	1.2	4.8	—	—	0.027	2.0	2.0
60**–800	80:5	15.0 ± 3%	0.6	1.2	2.4	4.8	—	0.028	2.0	2.0
60**–101	100:5	7.5 ± 1%	0.6	0.6	2.4	4.8	4.8	0.037	2.0	2.0
60**–121	120:5	12.5 ± 1%	0.6	0.6	1.2	2.4	4.8	0.043	2.0	2.0
60**–1250	125:5	15.0 ± 1%	0.6	0.6	1.2	2.4	4.8	0.044	2.0	2.0
60**–151	150:5	20.0 ± 1%	0.3	0.3	0.6	1.2	2.4	0.055	2.0	1.5
60**–201	200:5	25.0 ± 1%	0.3	0.3	0.3	0.6	1.2	0.073	2.0	1.5

**Note: When ordering, prefix Cat No. with model designation required i.e. 60RBT-201, 60RBL-101, 60RBL-101, etc.

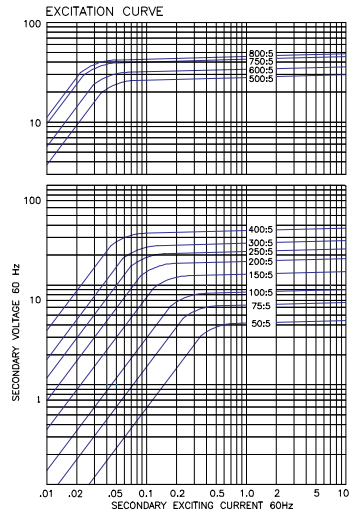


Model 61 Window Diameter 1.25"

Approximate weight 4.75 lbs.

Catalog Number	Current Ratio	V.A. ± 1% Class	ANSI Metering Class at 60 Hz					Secondary Winding Resistance (Ω @ 75 °C)	Continuous Thermal Rating Factor	
			B0.1	B0.2	B0.5	B0.9	B1.8		@ 30 °C	@ 55 °C
61**–500	50:5	2.0	2.4	4.8	—	—	—	0.025	2.0	2.0
61**–750	75:5	5.0	0.6	2.4	4.8	—	—	0.033	2.0	2.0
61**–101	100:5	7.5	0.6	1.2	2.4	4.8	—	0.045	2.0	2.0
61**–151	150:5	12.5	0.6	0.6	1.2	2.4	4.8	0.067	2.0	1.5
61**–201	200:5	20.0	0.3	0.3	0.6	1.2	2.4	0.090	2.0	1.5
61**–251	250:5	35.0	0.3	0.3	0.6	0.6	1.2	0.115	1.5	1.25
61**–301	300:5	50.0	0.3	0.3	0.6	0.6	1.2	0.149	1.5	1.0
61**–401	400:5	75.0	0.3	0.3	0.3	0.3	0.6	0.198	1.33	1.0
61**–501	500:5	100.0	0.3	0.3	0.3	0.3	0.6	0.224	1.33	1.0
61**–601	600:5	120.0	0.3	0.3	0.3	0.3	0.3	0.258	1.0	0.8
61**–751	750:5	140.0	0.3	0.3	0.3	0.3	0.3	0.335	1.0	0.8
61**–801	800:5	150.0	0.3	0.3	0.3	0.3	0.3	0.358	1.0	0.8

**Note: When ordering, prefix Cat No. with model designation required i.e. 61RBT-201, 61RBL-301, etc.

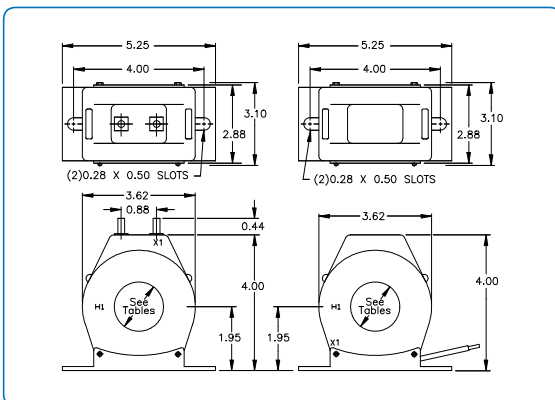
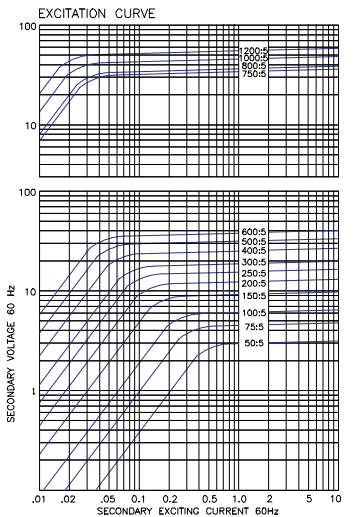


Model 62 Window Diameter 1.56"

Approximate weight 3.75 lbs

Catalog Number	Current Ratio	V.A. ± 1% Class	ANSI Metering Class at 60 Hz					Secondary Winding Resistance (Ω @ 75 °C)	Continuous Thermal Rating Factor	
			B0.1	B0.2	B0.5	B0.9	B1.8		@ 30 °C	@ 55 °C
62**–500	50:5	2.0	2.4	—	—	—	—	0.013	2.0	2.0
62**–750	75:5	5.0	1.2	2.4	4.8	—	—	0.018	2.0	2.0
62**–101	100:5	7.5	0.6	1.2	2.4	4.8	—	0.037	2.0	2.0
62**–151	150:5	10.0	0.3	0.6	1.2	2.4	4.8	0.050	2.0	2.0
62**–201	200:5	20.0	0.3	0.3	0.6	1.2	2.4	0.066	2.0	1.5
62**–251	250:5	30.0	0.3	0.3	0.6	1.2	1.2	0.083	2.0	1.5
62**–301	300:5	40.0	0.3	0.3	0.3	0.6	1.2	0.100	1.5	1.33
62**–401	400:5	60.0	0.3	0.3	0.3	0.6	0.6	0.150	1.5	1.0
62**–501	500:5	80.0	0.3	0.3	0.3	0.3	0.6	0.235	1.33	1.0
62**–601	600:5	100.0	0.3	0.3	0.3	0.3	0.6	0.354	1.0	0.8
62**–751	750:5	125.0	0.3	0.3	0.3	0.3	0.3	0.262	1.0	0.8
62**–801	800:5	130.0	0.3	0.3	0.3	0.3	0.3	0.280	1.0	0.8
62**–102	1,000:5	150.0	0.3	0.3	0.3	0.3	0.3	0.438	1.0	0.6
62**–122	1,200:5	200.0	0.3	0.3	0.3	0.3	0.3	0.657	0.8	0.6

**Note: When ordering, prefix Cat No. with model designation required i.e. 62RBT-201, 62RBL-301, etc.



GEGridSolutions.com

Grid-AIS-L4-ITL_Model_60_62-1227-2017_05-EN. © Copyright 2017. General Electric Company and Instrument Transformers LLC reserve the right to change specifications of described products at any time without notice and without obligation to notify any person of such changes.

Worldwide Contact Center

Web: www.GEGridSolutions.com/contact

Phone: +44 (0) 1785 250 070

USA and Canada: +1 (0) 800 547 8629

Europe, Middle East and Africa: +34 (0) 94 485 88 00

