

Model PT7-2-150 Fused

Medium Voltage Indoor Voltage Transformer ANSI Group 2

Accuracy Class

0.3 WXYZ, 1.2ZZ at 100 % rated voltage with 120 V based ANSI burden.

0.3 WXY, 1.2Z at 58 % rated voltage with 69.3 V based ANSI burden..

Frequency

60 Hz.

Maximum System Voltage

Model PT7-2-150
36.5 kV, BIL 150 kV full wave

Model PT7-2-200
36.5 kV, BIL 200 kV full wave.

Thermal Rating

1,500 VA 30 °C. amb.
1,000 VA 55 °C. amb.

Weight

Approximate weight 185 lbs.

Specifications

- Primary terminals are 3/8-16 brass screws with one flatwasher and lockwasher.
- Secondary terminals are 1/4-20 brass screws with one flatwasher and lockwasher.
- The core and coil assembly is vacuum encapsulated in polyurethane resin.
- A test card is provided with each unit.
- Customer supplied leads must be directed away from transformer.
- User needs to select appropriate clearance values to assure performance for high potential testing, impulse testing, high humidity, partial discharge, high altitude, specific configurations and other considerations.
- Fuse clip only models do not include fuses. Clips supplied accept 1.63 inch diameter fuses. Recommend 34.5 kV 0.5E rated fuses.
- Also available are other ratios and frequencies, double secondaries and units meeting IEC 61689-3. Note: It is recommended that the system line-to-line voltage must not exceed transformer maximum system voltage level.



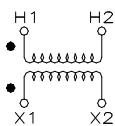
Fused PT7-2-150

REGULATORY AGENCY APPROVALS



Manufactured to meet the requirements of ANSI/IEEE C57.13.
Classified by U.L. in accordance with IEC 44-1

PT7-2 Fused

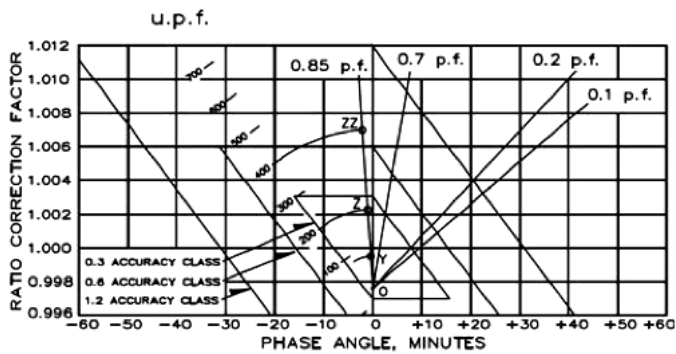


Primary Voltage	Ratio	Secondary Voltage	Catalog Numbers	
			Fuses	Fuse Clips Only
21,000	175:1	120	PT7-2-150-213FF	PT7-2-150-213CC
24,000	200:1	120	PT7-2-150-243FF	PT7-2-150-243CC
27,600	240:1	115	PT7-2-150-2762FF	PT7-2-150-2762CC
34,500	300:1	115	PT7-2-150-3452FF	PT7-2-150-3452CC

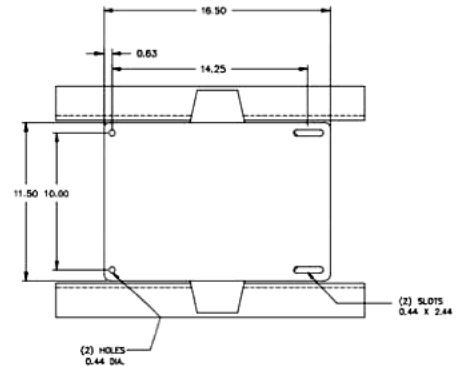
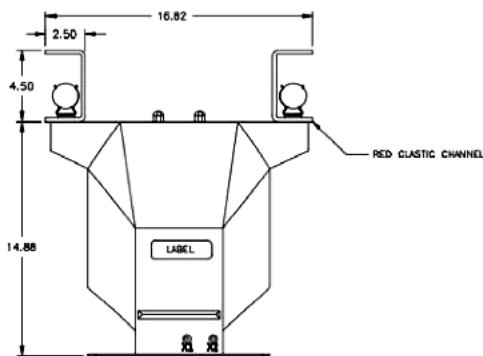
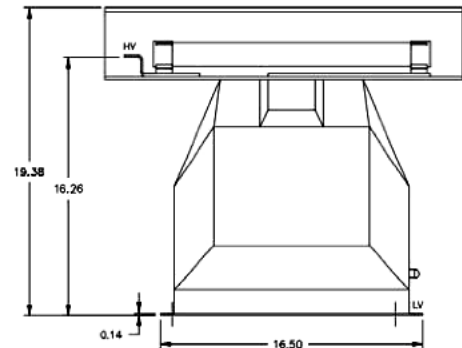
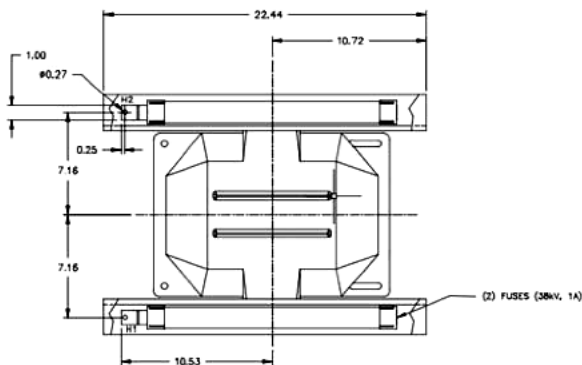
Transformers are for line-to-line connection, but may be connected line-to-neutral at a voltage of the rated line volts divided by the square root of three. Continuous operation at 110 % of rated voltage is permissible, provided that the thermal burden rated volt-amperes is not exceeded. For line-to-neutral connections a primary fuse should be used in the line side connection only. By this connection a transformer can never be "alive" from the line side by reason of a blown fuse on the grounded side.



Model Fused PT7-2-150 - ANSI Group 2



The circle diagram can be used to predict the performance of a transformer for various loads and power factors. A convenient scale of volt-ampere is shown on the unity power factor line (u.p.f) and commences at the zero or no-load locus. To use the diagram, measure the known V.A. and scribe an arc about the "Zero" locus of a length that contains the angle of the burden power factor. The point at which the arc terminates is the error locus in phase angle minutes and ratio correction factor.



GEGridSolutions.com

Grid-AIS-L4-ITL_Model_PT7_2_fused-1487-2017_07-EN. © Copyright 2017. General Electric Company and Instrument Transformers LLC reserve the right to change specifications of described products at any time without notice and without obligation to notify any person of such changes.

Worldwide Contact Center

Web: www.GEGridSolutions.com/contact

Phone: +44 (0) 1785 250 070

USA and Canada: +1 (0) 800 547 8629

Europe, Middle East and Africa: +34 (0) 94 485 88 00

