

# Model JCK-5CER

## Outdoor Current Transformer 110 kV BIL, 2 to 1,500 A Range

### Application

Designed for outdoor service; suitable for metering applications.

### Weight & Dimensions

Height: 14.55"  
Depth: 12.37"  
Width: 10.88"  
Weight (Approximate).....40 lbs

### Insulation Level

15.5 kV; BIL: 110 kV per C57.13

### Frequency

60 Hz



### General Information

JCK-5C are manufactured in ITI's Clearwater, FL. plant utilizing state of the art Automated Pressure Gelation (APG) process and Hydrophobic Cycloaliphatic Epoxy (HCEP) for the entire line of outdoor current transformers. Insulation levels meet or exceed those specified in IEEE C57.13 and CSA CAN3-C13. Dimensions meet IEEE C12.11. Superior designs, HCEP epoxy, and the APG process are combined to produce the highest quality and reliability available in the industry for outdoor applications.

### Extended Range

GE's Extended Range CT guarantees high accuracy performance over a wider range than the IEEE 0.15S accuracy class, further reducing the need for multiple ratios. For many metering applications, an increase in metered revenue can be expected when using an higher accuracy CT versus a standard CT. Extended Range units are particularly ideal for applications with a highly variable current load, such as renewable energy metering.

IEEE 0.15S Metering Class:  $\pm 0.15\%$  Accuracy from  $5\% I_{nom}$  to Rating Factor

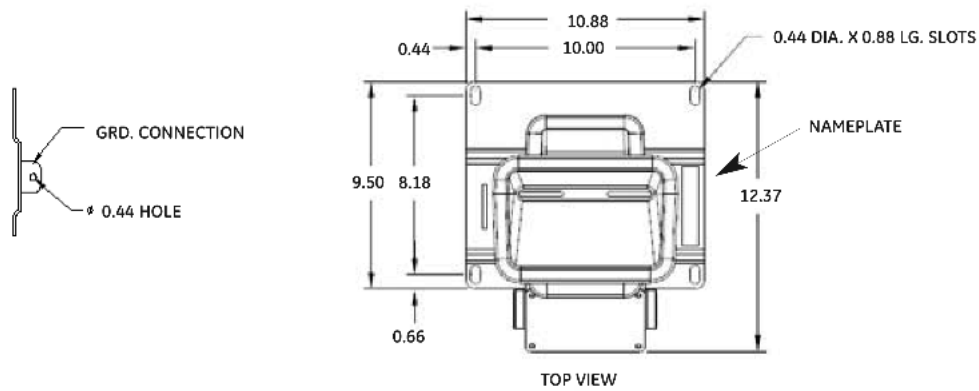
GE Extended Range:  $\pm 0.15\%$  Accuracy from  $1\% I_{nom}$  to Rating Factor

### Unit Selection Model JCK-5CER

Catalog Number	Current Ratio	Performance Range	Metering Class*	Rating Factor @ 30 °C amb
<b>Single Ratio Type JCK-5C 15 kV, 110 kV BIL</b>				
755C153001	200:5	2 A to 300 A	0.15 B-1.8	1.5
755C153002	1,000:5	10 A to 1,500 A	0.15 B-1.8	1.5

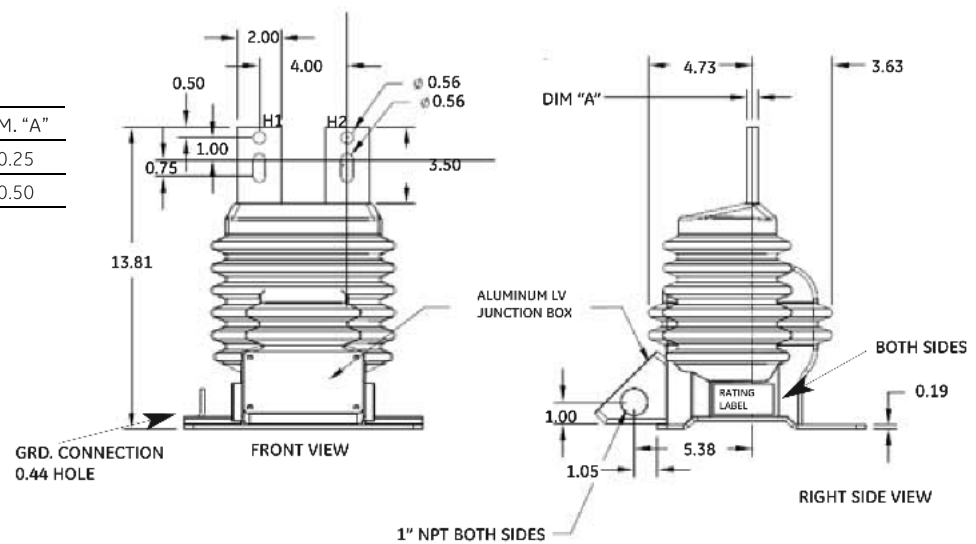


## Model JCK-5CER



### Model JCK-5CER

Part Number	Ratio	DIM. "A"
755C153001	200:5	0.25
755C153002	1,000:5	0.50



### General Construction

Insulation - Hydrophobic Cycloaliphatic Epoxy (HCEP)  
 Baseplate - Heavy gage marine grade aluminum  
 Conduit box - Cast aluminum, removable, 1" threaded hubs  
 Nameplate - Anodized aluminum  
 Mounting - Horizontal, Vertical, Inverted

### HCEP Resin Features

Ideal for outdoor applications  
 Excellent water repellent characteristics  
 High mechanical properties  
 Excellent dielectric properties - stable in outdoor humid conditions  
 Enhanced thermal cycle resistance  
 High resistance to erosion from ultra violet (UV) radiation  
 High tracking and arc resistance  
 Extended service life

### Notes:

1. 110 kV BIL, 60 Hz
2. Accuracy - 0.15 B1.8 from 1% of rated current to its RF=1.5
3. Encapsulated in HCEP (hydrophobic cycloaliphatic epoxy)
4. HV terminals - tin plated
5. LV terminals - tin plated compression type with a 0.27 in. diameter through hole and a slotted hex head machine screw suitable for use with a 3/8 in. socket - maximum torque 50 in. lbs.
6. Separate compression type ground terminal located within the LV terminal junction box.
7. Baseplate - 0.19 in. thick marine grade aluminum.
8. Weight - approx. 40 lbs.

### GEGridSolutions.com

Grid-AIS-L4-ITL\_Model\_JCK\_5CER-1450-2017\_10-EN. © Copyright 2017. General Electric Company and Instrument Transformers LLC reserve the right to change specifications of described products at any time without notice and without obligation to notify any person of such changes.

### Worldwide Contact Center

Web: [www.GEGridSolutions.com/contact](http://www.GEGridSolutions.com/contact)  
 Phone: +44 (0) 1785 250 070  
 USA and Canada: +1 (0) 800 547 8629  
 Europe, Middle East and Africa: +34 (0) 94 485 88 00

