

Model CTM-0C

**Single Bar Indoor Current Transformer
600 V, 10 kV BIL, 50-1,200 A Wound Primary**

Application

Designed for indoor service. Suitable for operating meters, relays and control devices

Insulation Level

0.6 kV; BIL 10 kV full wave

Weight

(approximate)7 lbs

Frequency

60 Hz



Reference Drawings

Outlines

50-400 A0121C42881

500-1,200 A0121C42882

Model CTM-0C CTMO - Single Bar

Current Ratio (Amps) Pri : Sec	IEEE Accuracy Class, 60 Hz Burden Per IEEE	Continuous Thermal Current Rating Factor	Approval Number from CCAC	Catalog Number
	B0.1 to B0.9	@ 30 °C Amb.		
5:5*	0.3	1.5	-	430-001
10:5*	0.3	1.5	-	430-002
15:5*	0.3	1.5	-	430-003
20:5*	0.3	1.5	-	430-004
25:5*	0.3	1.5	-	430-005
30:5*	0.3	1.5	-	430-006
40:5*	0.3	1.5	-	430-007
50:5	0.3	1.5	T172-1	430-008
60:5	0.3	1.5	T172-1	430-009
75:5	0.3	1.5	T172-1	430-010
100:5	0.3	1.5	T172-1	430-011
150:5	0.3	1.5	T172-1	430-012
200:5	0.3	1.5	T172-1	430-013
250:5	0.3	1.5	T172-1	430-014
300:5	0.3	1.5	T172-1	430-015
400:5	0.3	1.5	T172	430-016
500:5*	0.3	1.5	T253	430-017
600:5*	0.3	1.5	T253	430-018
800:5*	0.3	1.5	T253	430-019
1,000:5*	0.3	1.2	T253	430-020
1,200:5*	0.3	1.0	T253	430-021

* For these models please contact factory for availability and approval number from CCAC for revenue metering application.



Model CTM-0C

Construction and Insulation

The core and coil are encapsulated in polyurethane resin within a molded case. This material has excellent electrical and mechanical properties over a wide temperature range, has very low water absorption and is resistant to oil and a variety of chemicals.

Core and Coils

The core is made from high quality grain oriented silicon steel, annealed under rigidly controlled factory conditions. The secondary winding is made of heavy enameled copper wire. The secondary windings are evenly distributed around the core for maximum accuracy and resistance to stray fields from adjacent conductors.

Terminals

Secondary terminals are tin plated brass, compression type. A shorting device is provided and interlocked to the terminal cover in such a way as to prevent connection error. The terminal cover is made of a clear plastic. Provision is made for sealing the cover.

Primary Bars

The primary terminals are tin plated copper bars.

Polarity

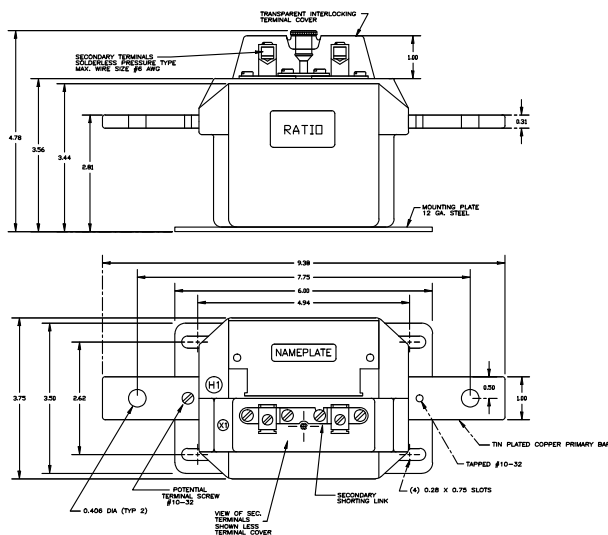
Primary and secondary polarity marks H1, H2 and X1, X2 are molded into the case.

Nameplate

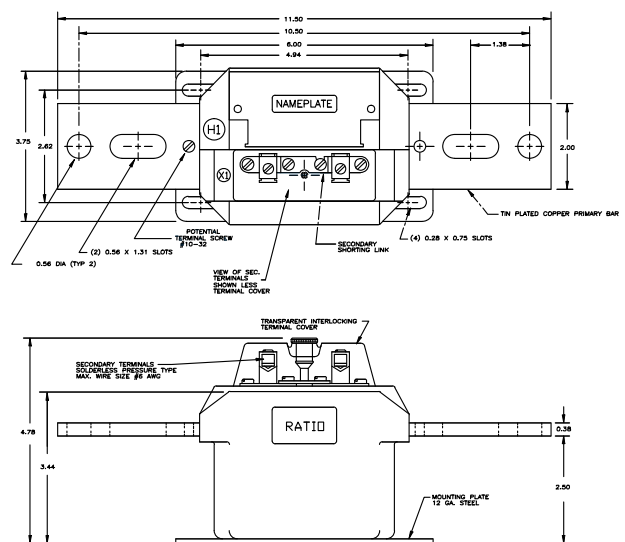
The nameplate is laser engraved aluminum. The nominal current rating of the transformer is marked on the side in large numerals.

Maintenance

These transformers require no maintenance, other than occasional cleaning, if installed where air contamination is severe.



Current Ratio from 5:5 to 400:5



Current Ratio > 400:5

GEGridSolutions.com

ITI-Model-CTM-0C-1-Spec-EN-2018-01-Grid-AIS-1373. © Copyright 2018. General Electric Company and Instrument Transformers LLC reserve the right to change specifications of described products at any time without notice and without obligation to notify any person of such changes.

Worldwide Contact Center

Web: www.GEGridSolutions.com/contact

Phone: +44 (0) 1785 250 070

USA and Canada: +1 (0) 800 547 8629

Europe, Middle East and Africa: +34 (0) 94 485 88 00

