

Model 3VT472

3 Phase Voltage Transformer

Frequency

60 Hz.

Standard Secondary Voltage

120 Volts line-to-line

Insulation level

600 Volt, 10 kV BIL full wave.

Accuracy Class: (Per Phase)

± 1% @ 5 VA

Thermal Rating: (Per Phase)

40 VA at 30°C. amb., 27 VA at 55°C. amb.

Terminals are brass screws No. 8-32 with one lockwasher and flatwasher.

Approximate weight 8 lbs.



Clear Plastic Cover

REGULATORY AGENCY APPROVALS



Manufactured to meet the requirements of ANSI/IEEE C57.13.
Classified by U.L. in accordance with IEC 44-1

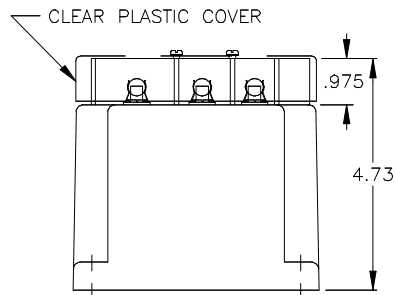
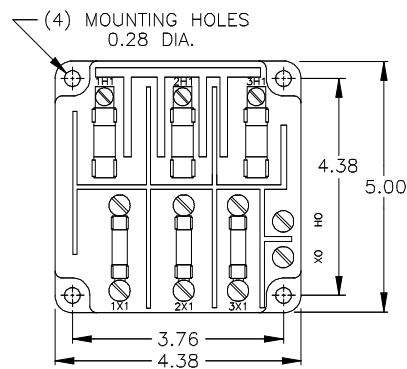
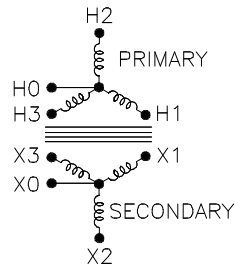
Model 3VT472

Catalog Number		Primary Volts Line/Line	Secondary Voltage		Turns Ratio	Rec. Primary Fuse Rating	Secondary Fuse Rating
Primary Fuses Only	Primary and Secondary Fuses		Line/Line	Line/Neutral			
3VT472-120-120F	3VT472-120-120FF	120Y	120	69.3	1:1	1.5	0.8
3VT472-120-208F	3VT472-120-208FF	120Y	208	120	1:1.73	1.5	0.4
3VT472-208-120F	3VT472-208-120FF	208Y	120	69.3	1.73:1	1.0	0.8
3VT472-208-208F	3VT472-208-208FF	208Y	208	120	1:1	1.0	0.4
3VT472-480-120F	3VT472-480-120FF	480Y	120	69.3	4:1	0.5	0.8
3VT472-480-208F	3VT472-480-208FF	480Y	208	120	2.31:1	0.5	0.4
3VT472-600-120F	3VT472-600-120FF	600Y	120	69.3	5:1	0.4	0.8
3VT472-600-208F	3VT472-600-208FF	600Y	208	120	2.88:1	0.4	0.4



Model 3VT472

- The core and coil assembly is encased in a thermoplastic shell and filled with resin.
- Only ground XO/HO terminals if source is 3 phase, 4 wire effectively grounded.
- These transformers are designed for application to Y connected systems.
- Model 3VT472 available with primary and/or secondary fuses
- Primary fuses are type CC rejection style. Secondary fuses are type BBS
- Dimension tolerance + 0.050
- Each transformer has a clear plastic cover.



GEGridSolutions.com

Grid-AIS-L4-ITL_Model_3VT472-1569-2017_05-EN. © Copyright 2017. General Electric Company and Instrument Transformers LLC reserve the right to change specifications of described products at any time without notice and without obligation to notify any person of such changes.

Worldwide Contact Center

Web: www.GEGridSolutions.com/contact

Phone: +44 (0) 1785 250 070

USA and Canada: +1 (0) 800 547 8629

Europe, Middle East and Africa: +34 (0) 94 485 88 00

