

GE

Energy Connections

Model 3P92

Current Transformer Window Size 2.56" x 2.12"

Application

3 phase relay, metering and motor overload protection.

Frequency

50-400 Hz.

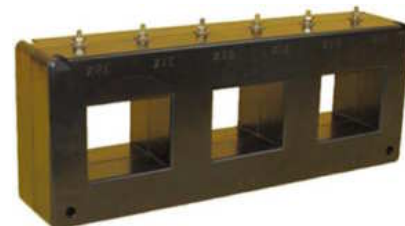
Insulation Level

600 Volts, 10 kV BIL full wave.

Terminals are brass studs No. 8-32 with one flatwasher, lockwasher and regular nut.

Flexible leads U. L. 1015, 105 °C., CSA approved , No. 16 AWG , 24" long available.

Approximate weight 7 lbs.



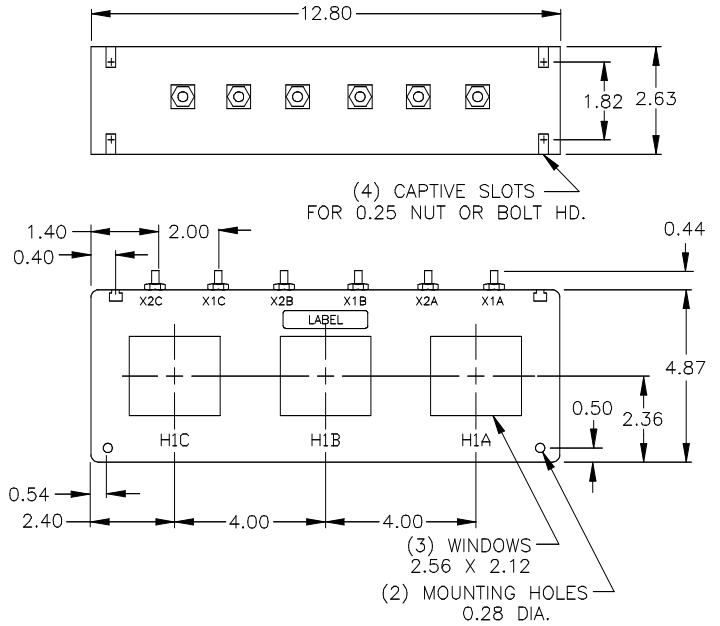
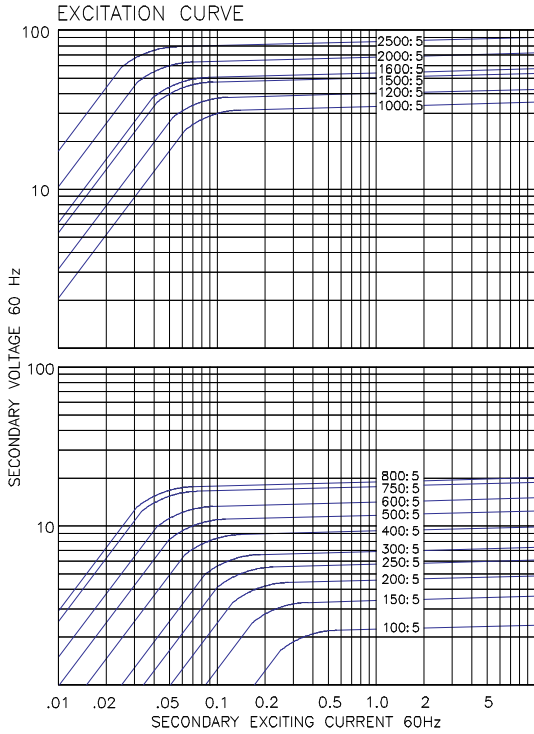
Data Table: Model 3P91

Catalog Number	Current Ratio	V.A. ± 1% Class	ANSI Metering Class at 60 Hz					Secondary Winding Resistance (Ω @ 75 °C)
			B0.1	B0.2	B0.5	B0.9	B1.8	
3P92-101	100:5	2.5	2.4	2.4	4.8	—	—	0.012
3P92-151	150:5	5	1.2	1.2	2.4	—	—	0.023
3P92-201	200:5	5	0.6	0.6	2.4	4.8	—	0.036
3P92-251	250:5	7.5	0.6	0.6	1.2	2.4	—	0.045
3P92-301	300:5	10	0.6	0.6	1.2	2.4	—	0.054
3P92-401	400:5	15	0.3	0.3	0.6	1.2	2.4	0.076
3P92-501	500:5	20	0.3	0.3	0.6	0.6	1.2	0.095
3P92-601	600:5	25	0.3	0.3	0.6	0.6	1.2	0.150
3P92-751	750:5	25	0.3	0.3	0.3	0.6	1.2	0.187
3P92-801	800:5	35	0.3	0.3	0.3	0.6	0.6	0.200
3P92-102	1,000:5	30	0.3	0.3	0.3	0.6	0.6	0.177
3P92-122	1,200:5	35	0.3	0.3	0.3	0.6	0.6	0.213
3P92-152	1,500:5	45	0.3	0.3	0.3	0.3	0.6	0.266
3P92-162	1,600:5	50	0.3	0.3	0.3	0.3	0.6	0.284
3P92-202	2,000:5	60	0.3	0.3	0.3	0.3	0.6	0.441
3P92-252	2,500:5	75	0.3	0.3	0.3	0.3	0.3	0.683

Note: Captive slots on top of transformer case can be used for attaching auxiliary device mounting plate, (not supplied).
If the application requires transformer mounted relays, etc., then transformers can be ordered with secondary leads configured in various ways (consult factory).



Model 3P92



GEGridSolutions.com

Grid-AIS-L4-ITL_Model_3P92-1212-2017_05-EN. © Copyright 2017. General Electric Company and Instrument Transformers LLC reserve the right to change specifications of described products at any time without notice and without obligation to notify any person of such changes.

Worldwide Contact Center

Web: www.GEGridSolutions.com/contact

Phone: +44 (0) 1785 250 070

USA and Canada: +1 (0) 800 547 8629

Europe, Middle East and Africa: +34 (0) 94 485 88 00

