

Model 386

Current Transformer Window Diameter 4.50"

Application

Relaying and metering.

Frequency

50-400 Hz.

Insulation Level

600 Volt, 10 kV BIL full wave.

Terminals are brass screws No. 10-32 with one flatwasher and lockwasher.

Multi-ratios available on request.

Approximate weight 35 lbs.



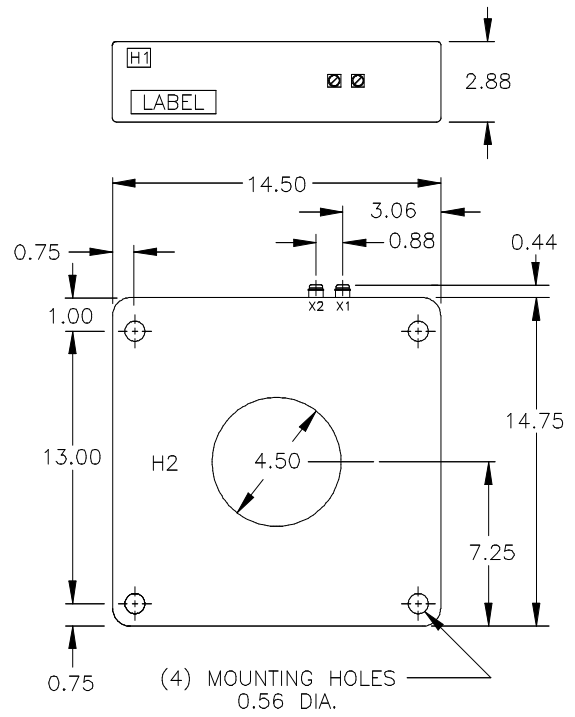
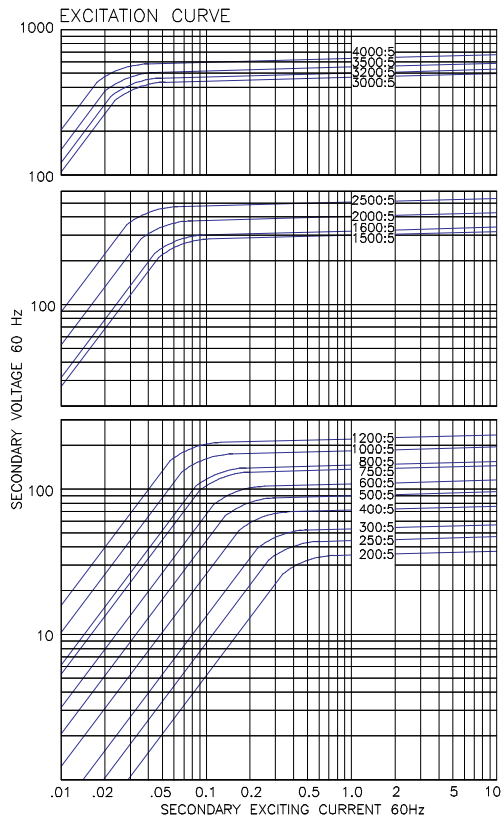
Model 386

Catalog Number	Current Ratio	Relay Class	ANSI Metering Class at 60 Hz					Secondary Winding Resistance (Ω @ 75 °C)	Continuous Thermal Rating Factor	
			B0.1	B0.2	B0.5	B0.9	B1.8		@ 30 °C	@ 55 °C
386-201	200:5	C20	0.6	0.6	1.2	2.4	4.8	0.061	2.0	2.0
386-251	250:5	C20	0.3	0.6	1.2	1.2	2.4	0.077	2.0	2.0
386-301	300:5	C50	0.3	0.3	0.6	1.2	2.4	0.092	2.0	2.0
386-401	400:5	C50	0.3	0.3	0.3	0.6	1.2	0.123	2.0	2.0
386-501	500:5	C50	0.3	0.3	0.3	0.6	0.6	0.153	2.0	2.0
386-601	600:5	C100	0.3	0.3	0.3	0.3	0.6	0.184	2.0	2.0
386-751	750:5	C100	0.3	0.3	0.3	0.3	0.3	0.230	2.0	2.0
386-801	800:5	C100	0.3	0.3	0.3	0.3	0.3	0.245	2.0	2.0
386-102	1,000:5	C100	0.3	0.3	0.3	0.3	0.3	0.307	2.0	1.5
386-122	1,200:5	C200	0.3	0.3	0.3	0.3	0.3	0.368	2.0	1.5
386-152	1,500:5	C200	0.3	0.3	0.3	0.3	0.3	0.502	2.0	1.5
386-162	1,600:5	C200	0.3	0.3	0.3	0.3	0.3	0.535	2.0	1.5
386-202	2,000:5	C200	0.3	0.3	0.3	0.3	0.3	0.669	1.5	1.33
386-252	2,500:5	C400	0.3	0.3	0.3	0.3	0.3	0.836	1.5	1.0
386-302	3,000:5	C400	0.3	0.3	0.3	0.3	0.3	0.933	1.5	1.0
386-322	3,200:5	C400	0.3	0.3	0.3	0.3	0.3	0.995	1.5	1.0
386-352	3,500:5	C400	0.3	0.3	0.3	0.3	0.3	1.083	1.5	1.0
386-402	4,000:5	C400	0.3	0.3	0.3	0.3	0.3	1.244	1.33	1.0

Approved for revenue metering by Industry Canada No. AE-0661



Model 386



Model 386MR

Current Transformer Multi-Ratio Window Diameter 4.50"

Application

Relaying.

Terminals are brass screws No. 10-32 with one flatwasher and lockwasher.

Frequency

50-400 Hz.

Approximate weight 35 lbs.

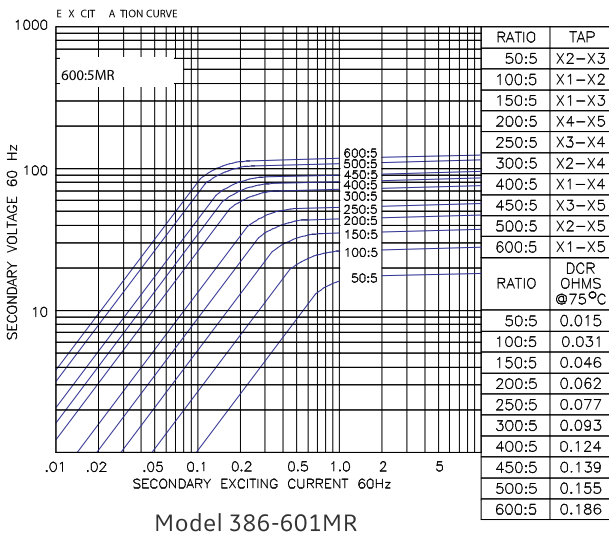
Insulation Level

600 Volt, 10 kV BIL full wave.

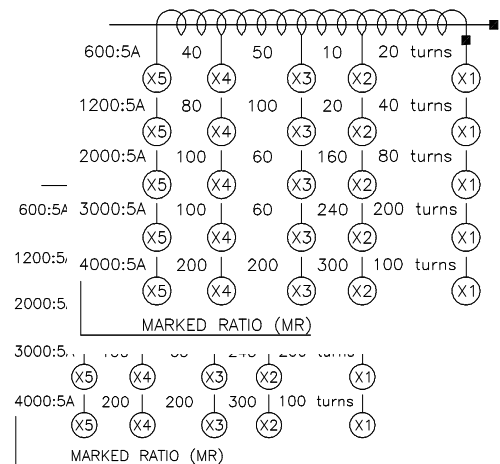


Model 386MR

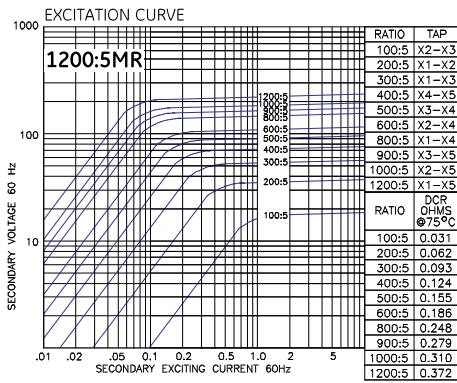
Catalog Number	Relay Class	Continuous Thermal Rating Factor	
		@ 30 °C	@ 55 °C
386-601MR	C100	2.0	2.0
386-122MR	C200	2.0	1.5
386-202MR	C200	1.5	1.33
386-302MR	C400	1.5	1.0
386-402MR	C400	1.33	1.0



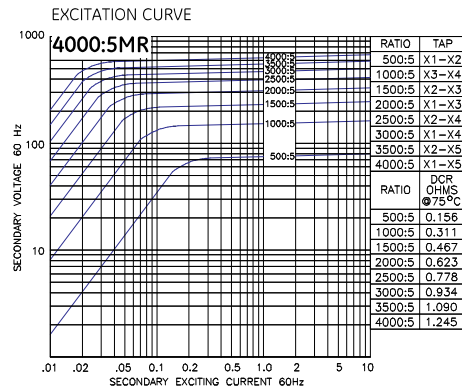
Model 386-601MR



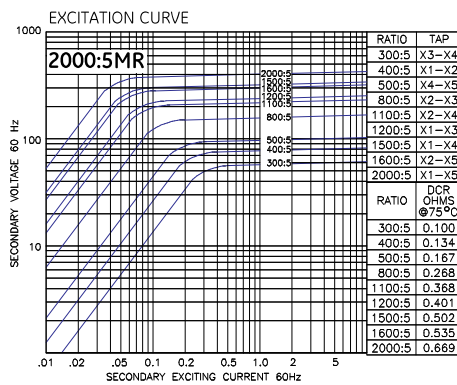
Model 386MR



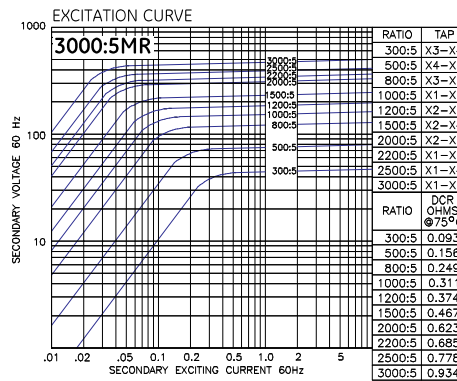
Model 386-122MR



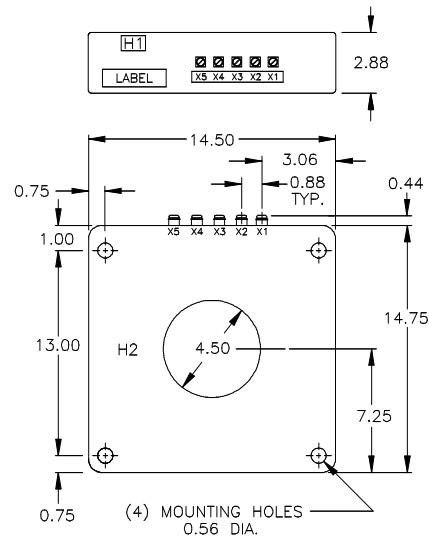
Model 386-402MR



Model 386-202MR



Model 386-302MR



GEGridSolutions.com

ITI-Model-386-Spec-EN-2021-01-Grid-AIS-1297. © Copyright 2021, General Electric Company and Instrument Transformers LLC reserve the right to change specifications of described products at any time without notice and without obligation to notify any person of such changes.

Worldwide Contact Center

Web: www.GEGridSolutions.com/contact

Phone: +44 (0) 1785 250 070

USA and Canada: +1 (0) 800 547 8629

Europe, Middle East and Africa: +34 (0) 94 485 88 00

