

Model 146

Current Transformer Window Diameter 8.75"

Application

Relaying and metering.

Frequency

50-400 Hz.

Insulation Level

600 Volt, 10 kV BIL full wave.

Terminals are 1/4-20 brass studs with one flatwasher, lockwasher and hexnut.

May be ordered with or without mounting base.

Version with base to be used only with terminals on top.

Multi-ratios available upon request.

Cast resin construction.

Approximate weight: 110 lbs.

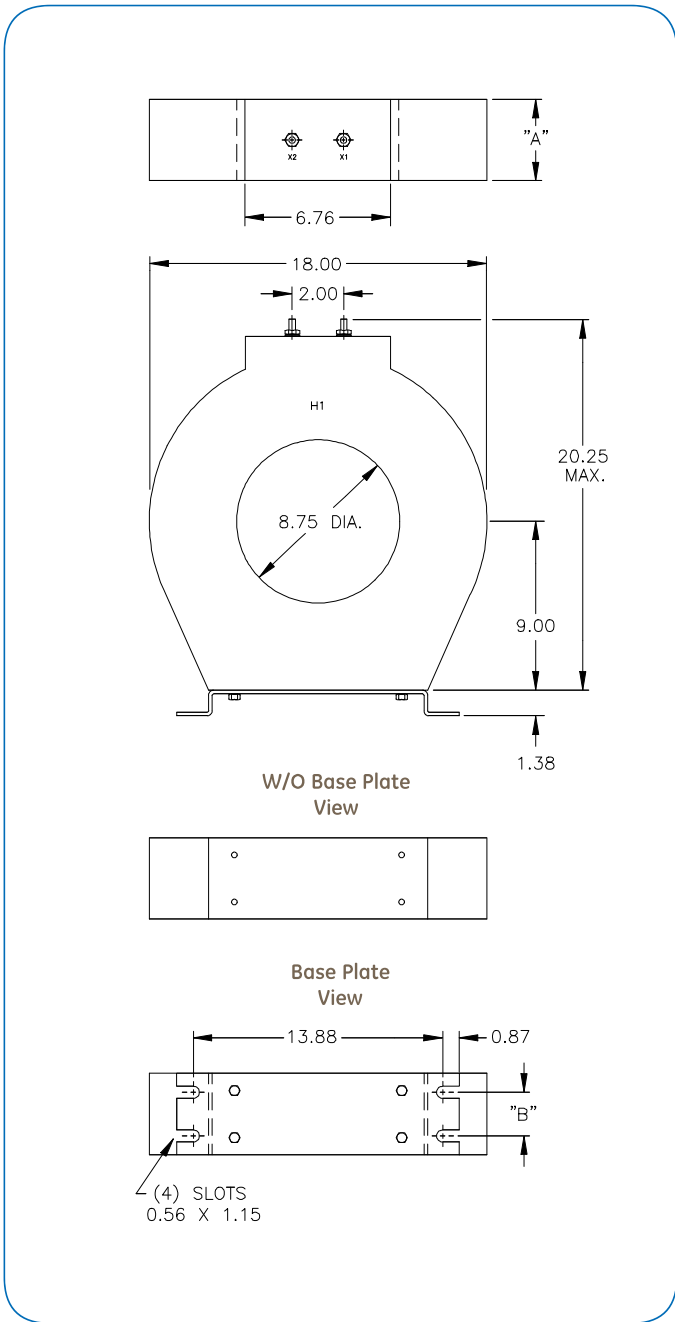


Model 146

Catalog Number	Current Ratio	Relay Class	ANSI Metering Class at 60 HZ					Secondary Winding Resistance (Ω @ 75 °C)	Continuous Thermal Rating Factor		" A" DIM	" B" DIM.
			B0.1	B0.2	B0.5	B0.9	B1.8		@ 30 °C	@ 55 °C		
146-501	500:5	C400	0.3	0.3	0.3	0.3	0.3	0.30	2.0	2.0	5.50	4.00
146-601	600:5	C400	0.3	0.3	0.3	0.3	0.3	0.339	2.0	2.0	5.50	4.00
146-102	1,000:5	C800	0.3	0.3	0.3	0.3	0.3	0.625	2.0	2.0	5.50	4.00
146-122	1,200:5	C800	0.3	0.3	0.3	0.3	0.3	0.678	2.0	2.0	5.50	4.00
146-152	1,500:5	C800	0.3	0.3	0.3	0.3	0.3	0.787	2.0	2.0	5.50	4.00
146-202	2,000:5	C800	0.3	0.3	0.3	0.3	0.3	0.894	1.5	1.5	5.50	4.00
146-252	2,500:5	C800	0.3	0.3	0.3	0.3	0.3	1.053	1.5	1.5	5.50	4.00
146-302	3,000:5	C800	0.3	0.3	0.3	0.3	0.3	1.204	1.0	1.0	5.50	4.00
146-402	4,000:5	C800	0.3	0.3	0.3	0.3	0.3	1.397	1.0	1.0	4.00	2.50
146-502	5,000:5	C800	0.3	0.3	0.3	0.3	0.3	1.725	1.0	1.0	4.00	2.50
146-602	6,000:5	C800	0.3	0.3	0.3	0.3	0.3	2.10	1.0	1.0	4.00	2.50
146-802	8,000:5	C800	0.3	0.3	0.3	0.3	0.3	2.50	1.0	1.0	4.00	2.50



Model 146



GEGridSolutions.com

Grid-AIS-L4-ITL_Model_146-1262-2017_05-EN. © Copyright 2017. General Electric Company and Instrument Transformers LLC reserve the right to change specifications of described products at any time without notice and without obligation to notify any person of such changes.

Worldwide Contact Center

Web: www.GEGridSolutions.com/contact

Phone: +44 (0) 1785 250 070

USA and Canada: +1 (0) 800 547 8629

Europe, Middle East and Africa: +34 (0) 94 485 88 00

