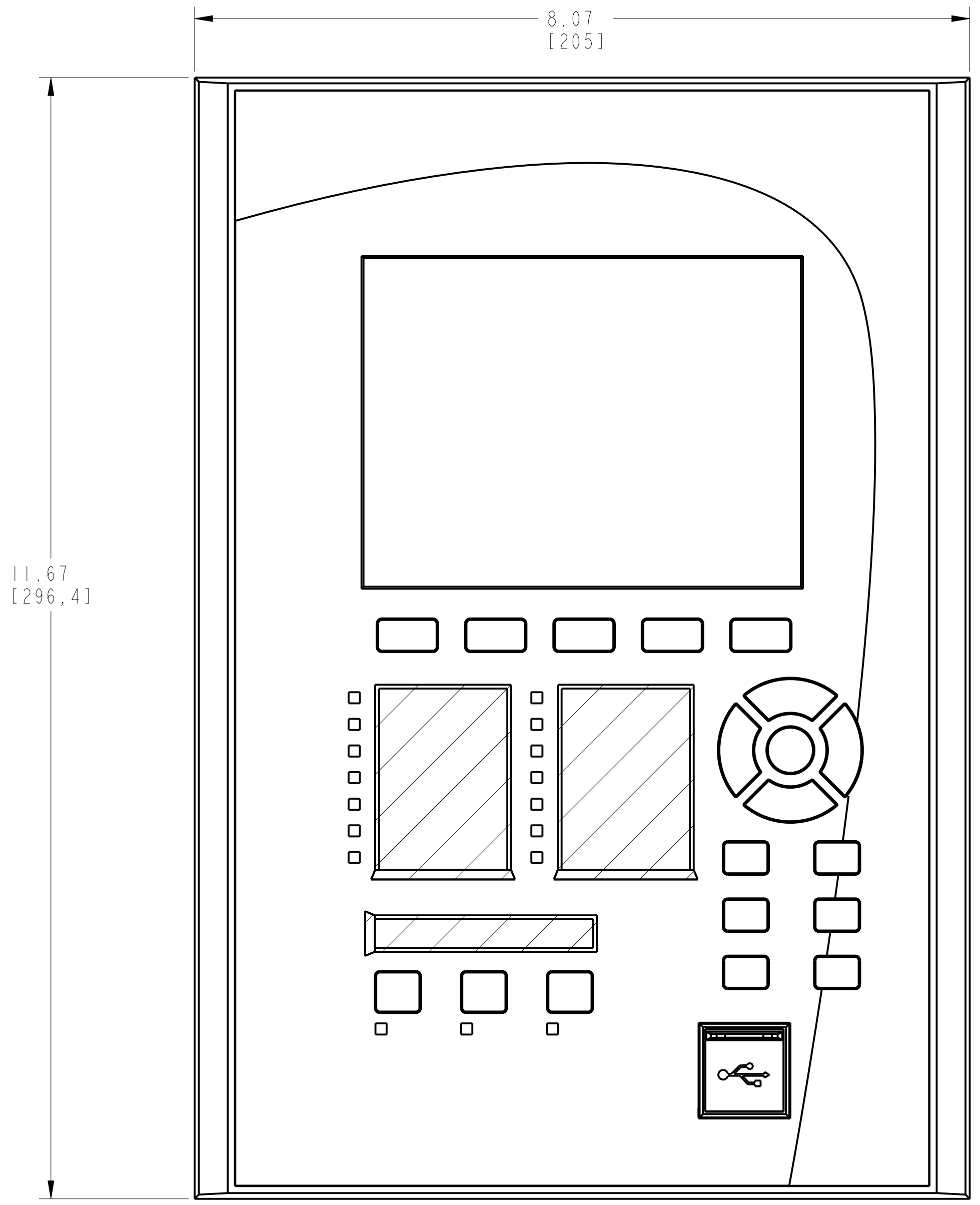
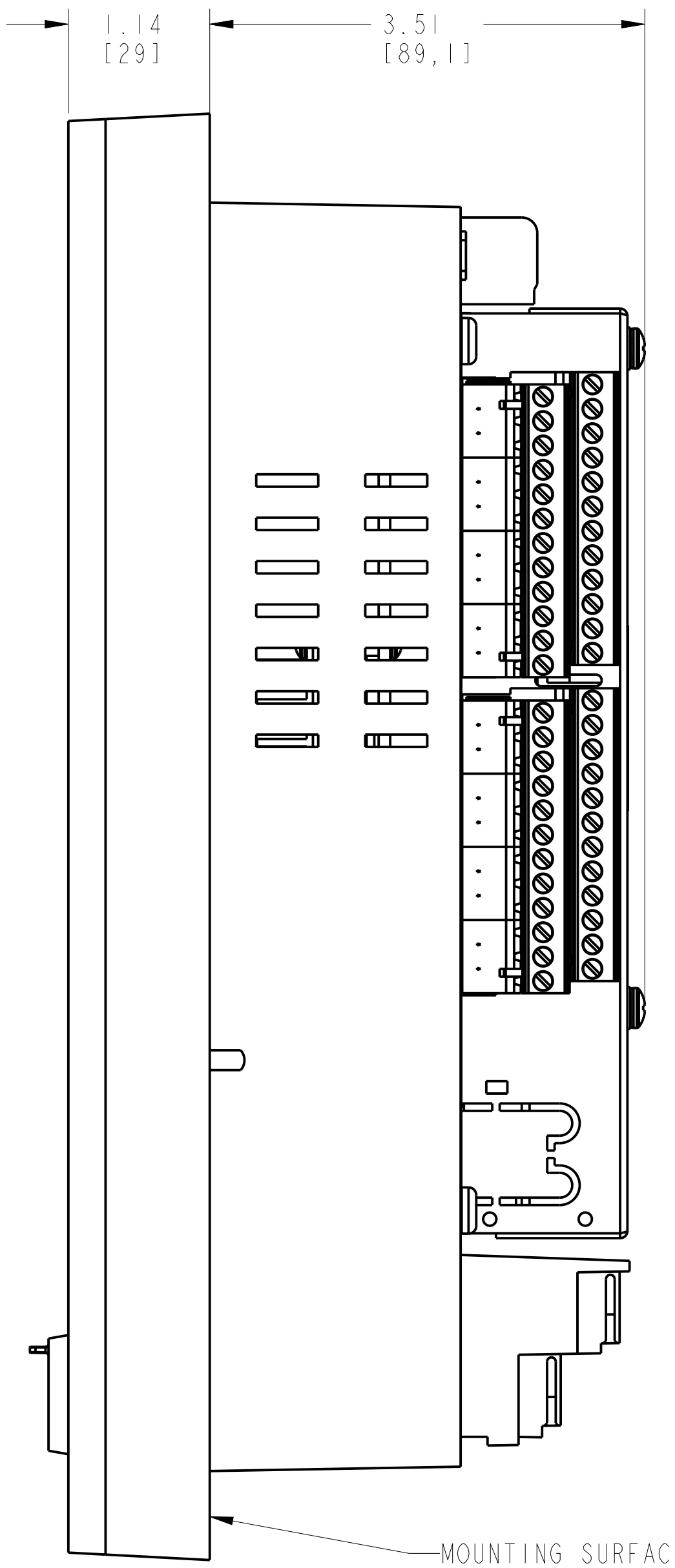


Copyright General Electric.  
All Rights Reserved.

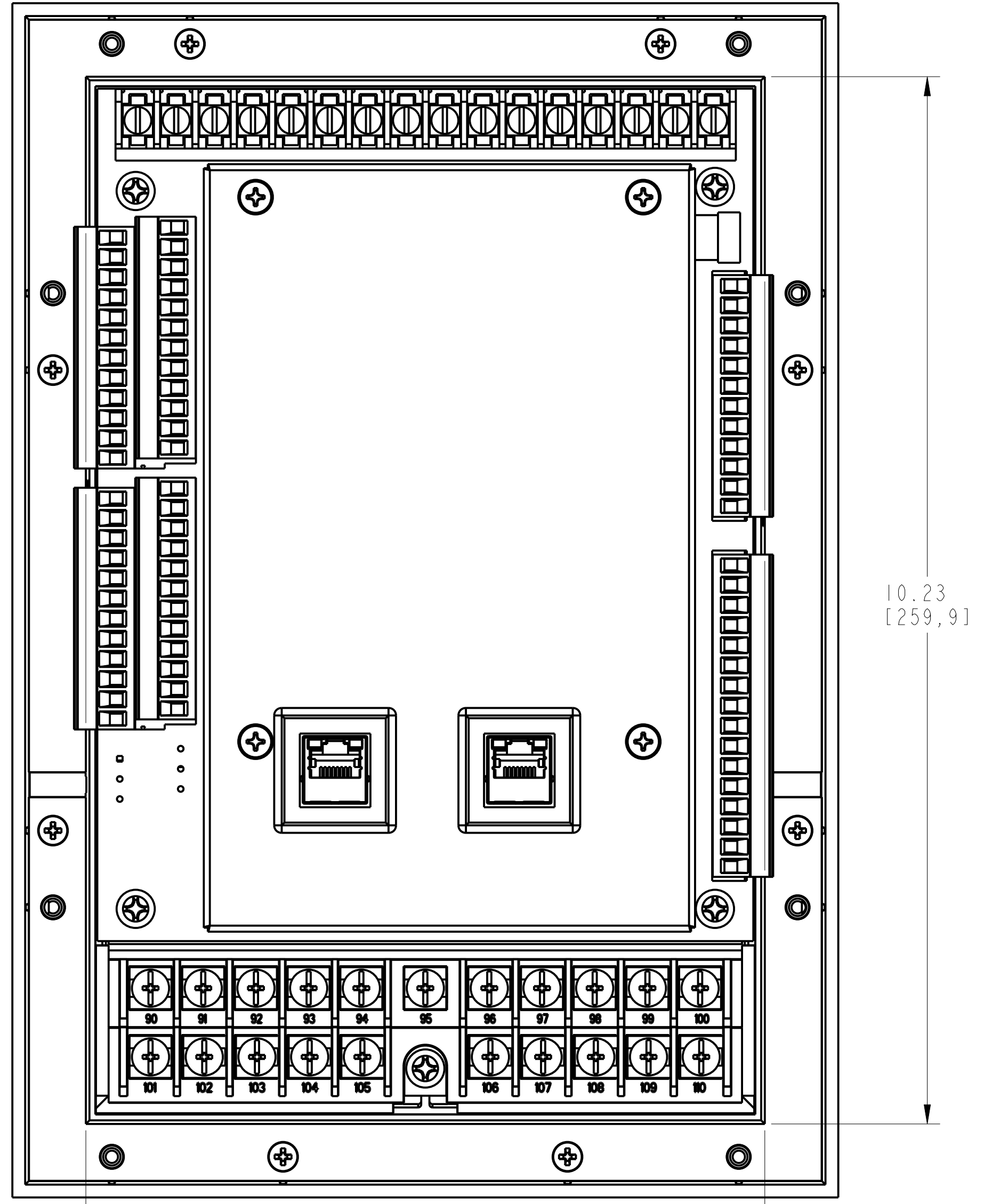
REV.		ITR	DATE	ECO#	DWN	APP	REVISIONS	DESCRIPTION
AZ			8/11/2021	21-6545	DUSYS	ESTHR		ADDED CUSTOMER PANEL CUT-OUT



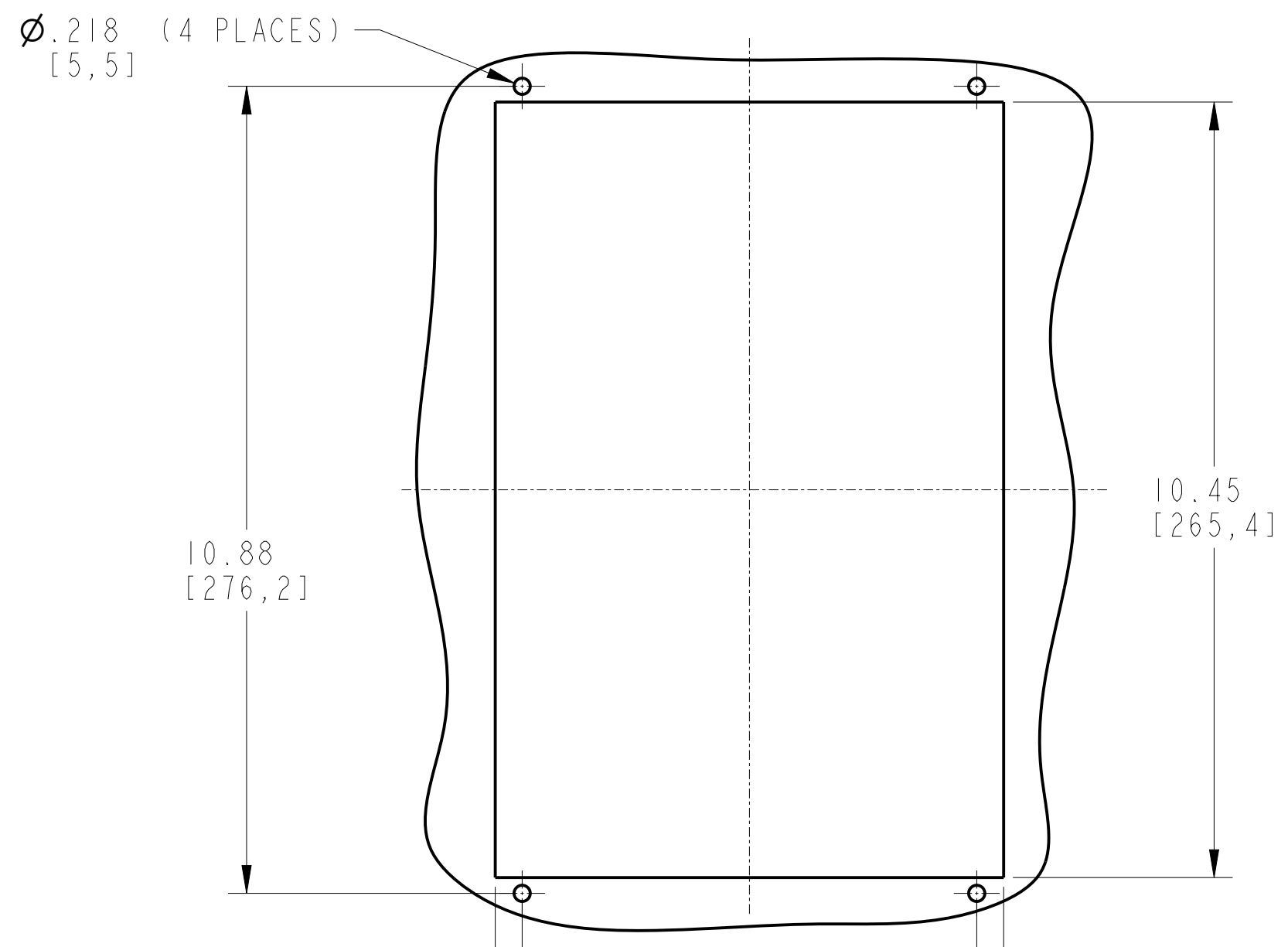
FRONT VIEW



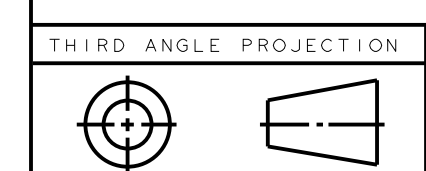
SIDE VIEW



REAR VIEW



CUSTOMER PANEL CUT-OUT  
SCALE 0.500



SIGNATURES		DATE	
MODEL			
DETAIL			650 MARKLAND ST. MARKHAM, ON, CANADA L3C 0M1 TEL: +1 905 927 7070 FAX: +1 905 927 5098 INTERNET: <a href="http://www.gegridsolutions.com/multiin/">http://www.gegridsolutions.com/multiin/</a>
CHECKED			<b>859 UNIT PHYSICAL DIMENSIONS AND CUSTOMER CUT-OUT</b>
WHERE USED:			SIZE DRAWING <b>D</b>
DRAWING FILE: 864700			<b>864700</b>
FILE LOCATION:			REV <b>A2</b>
SOFTWARE TOOL: Pro/ENGINEER			SCALE: 1.000
DIMENSIONS ARE IN INCHES <b>UNLESS OTHERWISE SPECIFIED IN DRAWING</b> TOLERANCE ON: 1 PL DECIMALS ± 0.1 2 PL DECIMALS ± 0.01 3 PL DECIMALS ± 0.005 ANGLES ± 0.5 FRACTIONS ± FINISH CRITICAL TO QUALITY CHARACTERISTIC			SHEET 1 OF 1

TITLE	DWG No.
REFERENCE DRAWINGS	