

# MiCOM Agile P891



## Circuit Breaker Trip / Close Module

MiCOM Agile P891 is suitable for applications with protection relays where relay independent tripping and closing functionality is desired

### Independent circuit breaker indication

is provided by two LEDs, allowing for direct wiring of the circuit breaker's 52A and 52B contacts. With a wide voltage supply range capability, integration into any battery supply system is simple.

Configure the module to integrate with feeder management relay functions such as auto-reclosing and check synchronising and provide a secure Circuit Breaker control solution.

Push button covers are provided to prevent inadvertent operation of push button switches. This safety feature allows the module to be used under the most stringent operating procedures. These covers can also be removed if not required.

## Key Benefits

- Control to suit customers' operational procedures
- Simple and robust design
- Clear status indication



## Application

The MiCOM Agile P891 trip/close module can be applied to directly control a circuit breaker or other plant, such as motorised line isolator switches requiring open trip/close control.

### Typical Application

Figure 1 shows the P891 combined with a P14x and P991 to provide a complete feeder scheme solution.

The P891 provides relay independent tripping and closing functionality. This functionality can also be integrated with the protection relay to make use of relay functions such as check synchronising or auto-reclosing.

### Functional Overview

## Hardware Description

The module is housed in a 10TE Midos case, suitable for either rack or panel mounting. Push buttons can be fitted with colour coded pushbutton covers which can be locked by the user by means of a padlock or other suitable locking devices.

### Features

- Close and Trip push buttons
- Red and green LED indication for device open and close indication
- Universal power supply for LED indication circuit
- Two N/O output contacts per pushbutton
- Removable pushbutton covers(optional)
- ANSI labelling

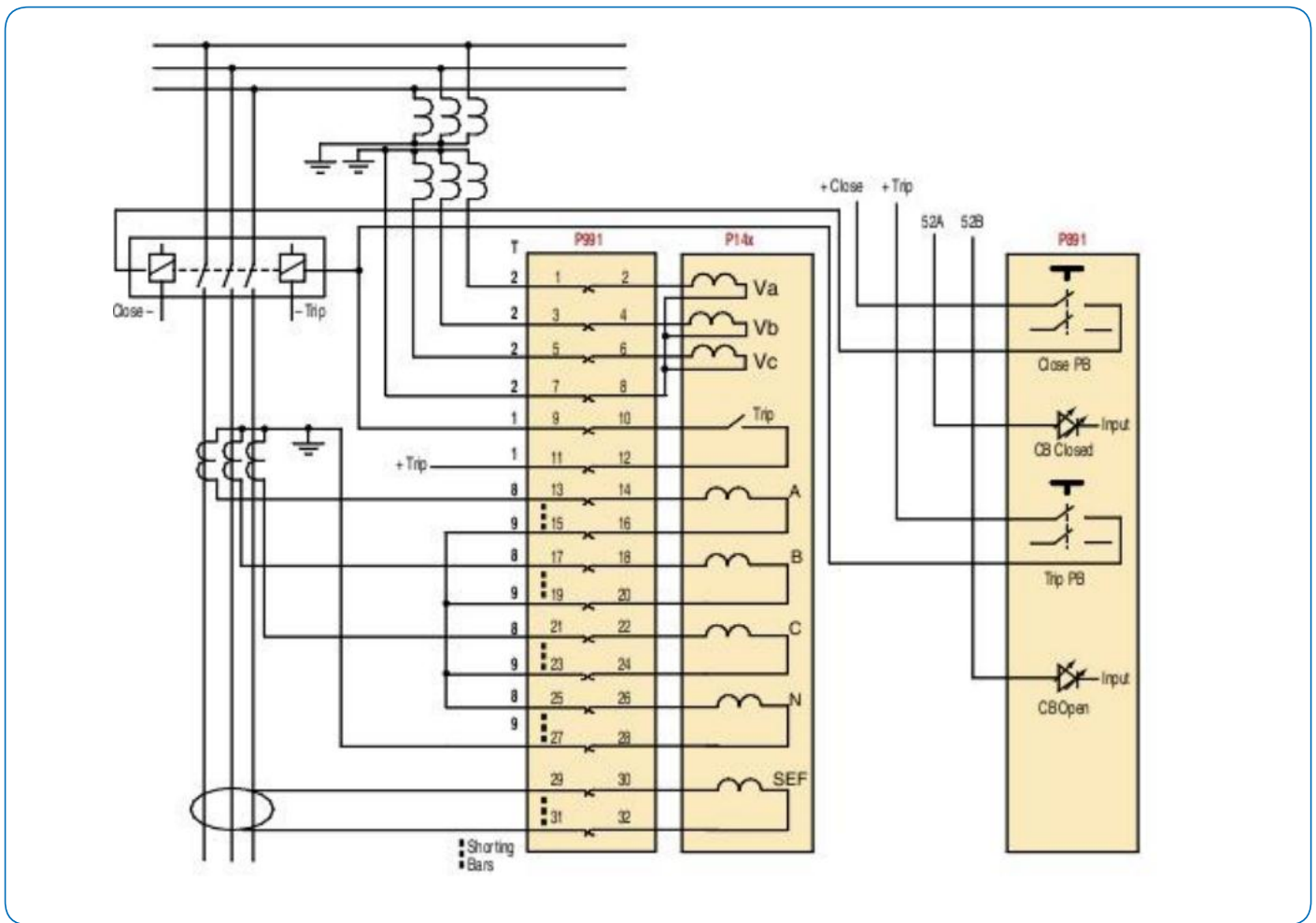


Fig.1 Typical scheme application

Use MiCOM Agile P891 for secure control of circuit breakers

## OUTPUT CONTACTS

### Standard Contacts

General purpose output contacts for signaling, tripping & alarms.

### Contact Ratings

Make & Carry:	3 Amps for 3 s
Carry:	250 A dc for 30 ms
	10 A continuous
Break -	DC: 50 W resistive
	DC: 62.5 W inductive (L/R = 50 ms)
	AC: 2500 VA
	AC: 2500 VA inductive (P.F. = 0.7)
Maxima -	10 A and 300 V
Loaded contact -	10,000 operations minimum
Unloaded contact -	100,000 operations minimum

### LED Inputs

### Voltage Ratings

- DC operative range: 19-300 Vdc
- AC operative range: 24-265 Vrms, 50/60 Hz



Compact case size for easy mounting alongside MiDOS and MiCOM Agile protection relays

## Usage

The P891 output contacts are designed to be wired directly into control circuits. Care should be taken that the pushbutton output contact break capacity is not exceeded. In the case of circuit breaker applications, the breaker's auxiliary contacts are used to interrupt the trip/close circuit current once the breaker is operated.

## Installation

The generic safety guide SFTY/4L M/G11 should be read before installing or using the P891 Trip/Close module.

EMC COMPLIANCE  89/336/EEC	Compliance with the European Commission Directive on EMC
PRODUCT SAFETY  73/23/EEC	Compliance with the European Commission low voltage directive
P891 THIRD PARTY COMPLIANCE File Number: E20251 Original Issue Date: 18-01-2005 (Complies with Canadian and US requirements)	

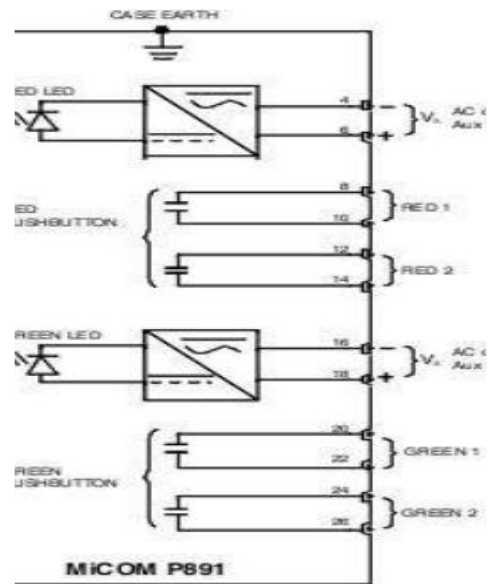
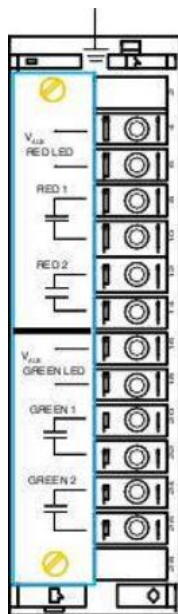


Figure 2 P891 connection detail and rear terminal block detail

## Track Record - Switch Modules

---

MMLZ - Auxiliary modules used in multiple hardwired scheme applications since 1989.

---

Complements MiOS and MiCOM Agile relays, plus MMLG and P99x test blocks.

---



## About MiCOM P40 Agile

GE's philosophy is one of continuous improvement in our products and solutions. Our emphasis on communications in MiCOM has become a focus which secures our leadership in digital substations. To mark this phase of evolution, the brand "P40 Agile" is applied to the range. The P40 Agile is a mark of performance and quality, only available from GE.

For more information please contact  
GE Power  
Grid Solutions

### Worldwide Contact Center

Web: [www.GEGridSolutions.com/contact](http://www.GEGridSolutions.com/contact)  
Phone: +44 (0) 1785 250 070

## GEGridSolutions.com

IEC is a registered trademark of Commission Electrotechnique Internationale. IEEE is a registered trademark of the Institute of Electrical Electronics Engineers, Inc.

GE and the GE monogram are trademarks of General Electric Company.

GE reserves the right to make changes to specifications of products described at any time without notice and without obligation to notify any person of such changes.

P891-Brochure-EN-2018-10-Grid-GA-0718. © Copyright 2018, General Electric Company. All rights reserved.



Imagination at work