



DT1-38

Dead Tank Circuit Breakers for 38 kV

One of the keys to safety in your substation is the circuit breaker. Safety can be ensured by using the DT1 circuit breaker, a product based on state-of-the-art technology and manufactured in modern production facilities.

A Rugged Performer

Thanks to its robust design, the DT1-38 is a highly reliable circuit breaker even under the most severe operating conditions and is tested to meet or exceed IEEE/ANSI and IEC standards, including the definite purpose applications..

Unique Performance

The DT1-38 is suitable for applications up to nameplate ratings, including definite purpose ratings and is uniquely qualified under the latest IEEE/ANSI and IEC standards as C2 class for capacitance switching including back-to-back (very low restrike probability) and reactor switching applications. Extensive mechanical operation design testing ensures trouble-free operation for the lifetime of the circuit breaker. Intensive production leak testing ensures superior in-service SF₆ performance.

Flexibility for New and Retrofit Applications

The compact DT1-38 design can be used in new or retrofit applications. The 3-pole circuit breaker forms a complete, fully assembled, factory-tested, transportable unit. The on-site installation requires only a few simple steps. For installations where truck shipment is impossible, the DT1-38 can be readied for standard container shipment as a fully assembled unit.

Certified Quality

GE designs, manufactures, tests and delivers its circuit breakers in accordance with IEEE/ANSI and IEC standards, maintaining a quality assurance system according to ISO-9001 and ISO-14001.

The competence center for dead tank circuit breakers is located in Charleroi, PA (USA).

Installation and Maintenance

The DT1-38 is factory tested and adjusted. It does not need any "special tools" for installation. With a self-contained adjustable support structure, it is recognized worldwide as an easy to install circuit breaker. Thanks to the low-energy mechanism and lifetime lubricants, the DT series is virtually maintenance-free.

Main Characteristics

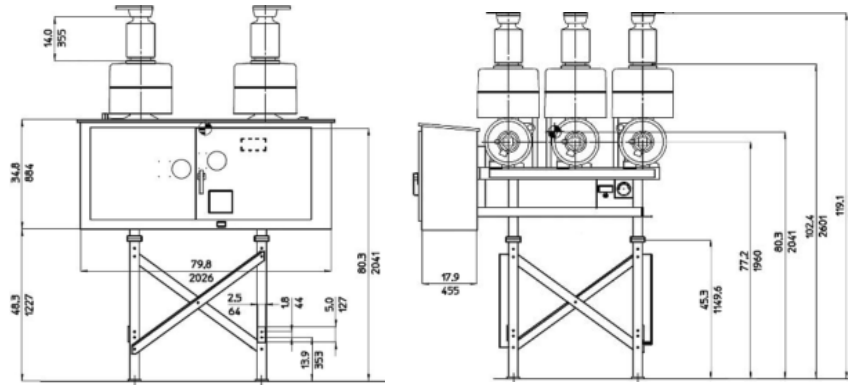
- Advanced self-blast interrupters
- Leak resistant cast aluminum enclosures
- Durable low energy spring-operated mechanisms
- More than 100,000 circuit breakers with self-blast interrupters and FK spring-operated mechanisms in service since 1989

Key Benefits

- Proven reliability
- High performance
- ISO quality systems
- Near zero maintenance
- Same interrupter and mechanism as DT1-72.5 with over 20 years of service experience and over 10,500 products in service worldwide



Dimensions



Technical Data

	Value	Units
SF ₆ pressure	67/0.46	psig/Mpa
Motor	1600	watts
Close coil/Trip coil	440/440	watts
Ambient temperature range*	-40 to +50	degree C
Seismic capability*	High Seismic per IEEE 693	
Weight (without current transformers)	2,166/962	lb/kg
Weight of SF ₆	26/12	lb/kg

Ratings

IEEE/ANSI	IEC	Value	Units
Rated maximum voltage	Rated voltage	38	kV
Rated power frequency	Rated frequency	50/60	Hz
Rated dielectric withstand capability:	Rated insulation level		
- dry withstand	- at power frequency, dry	80	kV
- wet withstand	- at power frequency, wet	75	kV
Rated lightning impulse withstand voltage	- at lightning impulse	200*	kV
Rated chopped wave impulse voltage 2us		258	kV
Rated continuous current	Rated normal current	1,200/2,000/3,000	A
Rated short-circuit current	Rated short-circuit breaking current	40	kA
Rated closing, latching and short time carrying current		104	kA
	Rated short-circuit making current	100	kA
Rated capacitance switching		630	A
	Rated single capacitor bank breaking current	1,200	A
Rated interrupting time		3	cycles
	Rated break time	50	ms
Rated standard operating duty	Rated operating sequence	O-CO-15s-CO O-0.3s-CO-180s-CO	

* Standard values; further data is available on request. ** Please contact GE for special purpose, high TRV, high X/R or other ratings requirements.

For more information please contact
GE Energy Connections
Grid Solutions

Worldwide Contact Center

Web: www.GEGridSolutions.com/contact
Phone: +44 (0) 1785 250 070

GEGridSolutions.com

GE and the GE monogram are trademarks of General Electric Company.

GE reserves the right to make changes to specifications of products described at any time without notice and without obligation to notify any person of such changes.

© Copyright 2017, General Electric Company. All Rights Reserved.

Grid-AIS-L3-DT1_38-1017-2017_02-EN.



Imagination at work