



FKG1F



Generator Circuit Breaker for Power Plants from 300 to 450 MW*

Power plant owners are concerned with the availability and reliability of their plants. That is why it is crucial to rely on equipment capable of safely interrupting fault conditions while protecting connected equipment and reduce outage periods.

Advanced Architecture

FKG generator circuit breakers are equipped with a fully spring-operated mechanism for high reliability, maximum energy stability and low maintenance requirements. This model is provided with a full natural cooling system, ensured by an external heat exchanger using natural convection phenomena for SF₆ cooling.

Keep an Eye on your Generator Circuit-Breaker

The FKG1F figures out optional add-on CBWatch monitoring system (automatic diagnosis) for maintenance on real status of the switchgear.

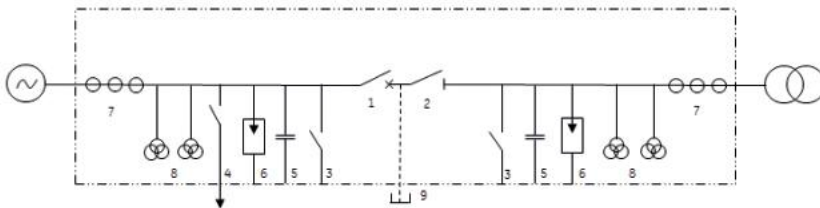
Higher Safety

A true electro-mechanical sequential interlocking system assures a reliable mechanical and electrical coordination for higher safety.

Components and Single Line Diagram

- 1 - Circuit breaker chamber
- 2 - Disconnecter
- 3 - Earthing switch
- 4 - Starting switch
- 5 - Capacitors

- 6 - ZnO Surge arresters
- 7 - Current transformers
- 8 - Voltage transformers
- 9 - Manual short-circuiting bar



Technical Data

- 13,500 A - 120 kA - 50 Hz
- 13,100 A - 120 kA - 60 Hz

Key Benefits

- Utmost reliability of the full spring mechanism
- CBWatch makes proactive maintenance possible
- Interrupting chambers with natural cooling system
- Ideal for large & very large turbines or generators

Testing and Quality

- Product in full compliance with IEC/IEEE 62271-37-013 GCB standard
- Manufacturing ISO 9001 and ISO 14001 certified
- S.E.I. - S.N.E. and national packing procedures

* Depending upon the power station's specifications, GE may propose an alternative GCB power rating.

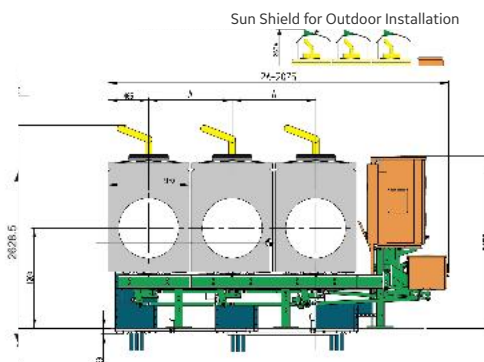
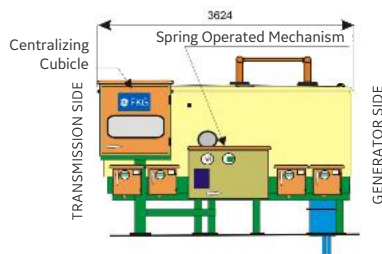
Technical Specifications

FKG1F

Rated maximum voltage	kV	27			
Short-circuit breaking current	kA	up to 120			
Rated out-of-phase breaking current	kA	up to 80			
Rated breaking time	ms	75			
Rated closing time	ms	100			
Insulating gas		SF ₆			
Rated absolute pressure at 20°C	kPa	up to 950			
Minimum absolute pressure at 20°C	kPa	800			
Location		Indoor / Outdoor			
Breaker cooling type		Natural			
Ambient air temperature limits	°C	-20°C(-25°C)/+40°C			
Busbar temperature limit/Enclosure temperature limit	°C	90/70°C		105/80°C	
Frequency	Hz	50	60	50	60
Maximum rated normal current (natural cooling)					
Indoor with ambient air 40°C	A	13,500	13,100	12,800	12,400
Outdoor with ambient air 40°C	A	13,000	12,600	12,300	11,900
Phase spacing A with 100 mm step	mm	1,200 to 2,000			
Protection degrees (enclosure / cubicles)		IP65 / IP55			
SF ₆ monitoring by densimeter		3-phase			
Pressure reading		Yes			

		FKG1F	SKG1 Disconnecter	MKG1 Earthing Switch	IKG1 Starting Switch
Rated peak withstand current	kA _{peak}	330	330	330	330
Rated short time withstand current	kA	120	120	120	100
Rated duration of short-circuit	s	3	3	2	1
Rated insulation level (at sea level) - Phase to earth					
- Rated power frequency withstand voltage	kV	80	80		30
- Rated lightning impulse withstand voltage: wave 1,2/50 μs	kV _{peak}	150	150		60
Rated insulation level (at sea level) - Across terminals					
- Rated power frequency withstand voltage	kV	80	90	80	80
- Rated lightning impulse withstand voltage: wave 1,2/50 μs	kV _{peak}	150	165	150	150

Dimensions



For more information please contact
GE
Grid Solutions

Worldwide Contact Center

Web: www.GEGridSolutions.com/contact
Phone: +44 (0) 1785 250 070

GEGridSolutions.com

IEC is a registered trademark of Commission Electrotechnique Internationale.
IEEE is a registered trademark of the Institute of Electrical Electronics Engineers, Inc.

GE and the GE monogram are trademarks of General Electric Company.

GE reserves the right to make changes to specifications of products described at any time without notice and without obligation to notify any person of such changes.

FKG1F-Brochure-EN-2019-01-Grid-AIS-0130. © Copyright 2019, General Electric Company.
All rights reserved.



Imagination at work