

MODEL 786MR

Current Transformer with Multi-Ratio

Window Diameter 6.50"



REGULATORY AGENCY APPROVALS



Manufactured to meet the requirements of ANSI/IEEE C57.13.
Classified by U.L. in accordance with IEC 44-1

Application

Relaying and Metering.

Frequency

50-400 Hz.

Insulation Level

600 Volts, 10 kV BIL full wave.

Model 786MR

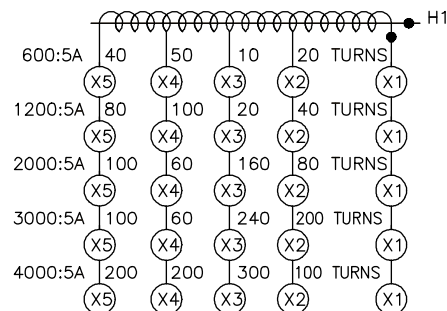
CATALOG NUMBER	RELAY CLASS	ANSI METERING CLASS AT 60 Hz	CONTINUOUS THERMAL RATING FACTOR	
			@30°C	@55°C
786-601MR	C200	0.3B0.9	2.0	1.5
786-122MR	C400	0.3B1.8	2.0	1.5
786-202MR	C400	0.3B1.8	2.0	1.5
786-302MR	C400	0.3B1.8	1.33	1.0
786-402MR	C400	0.3B1.8	1.33	1.0

Continuous Thermal Current Rating Factor

Secondary terminals are brass screws No. 10-32 with one flatwasher, lockwasher, accessible from either side.

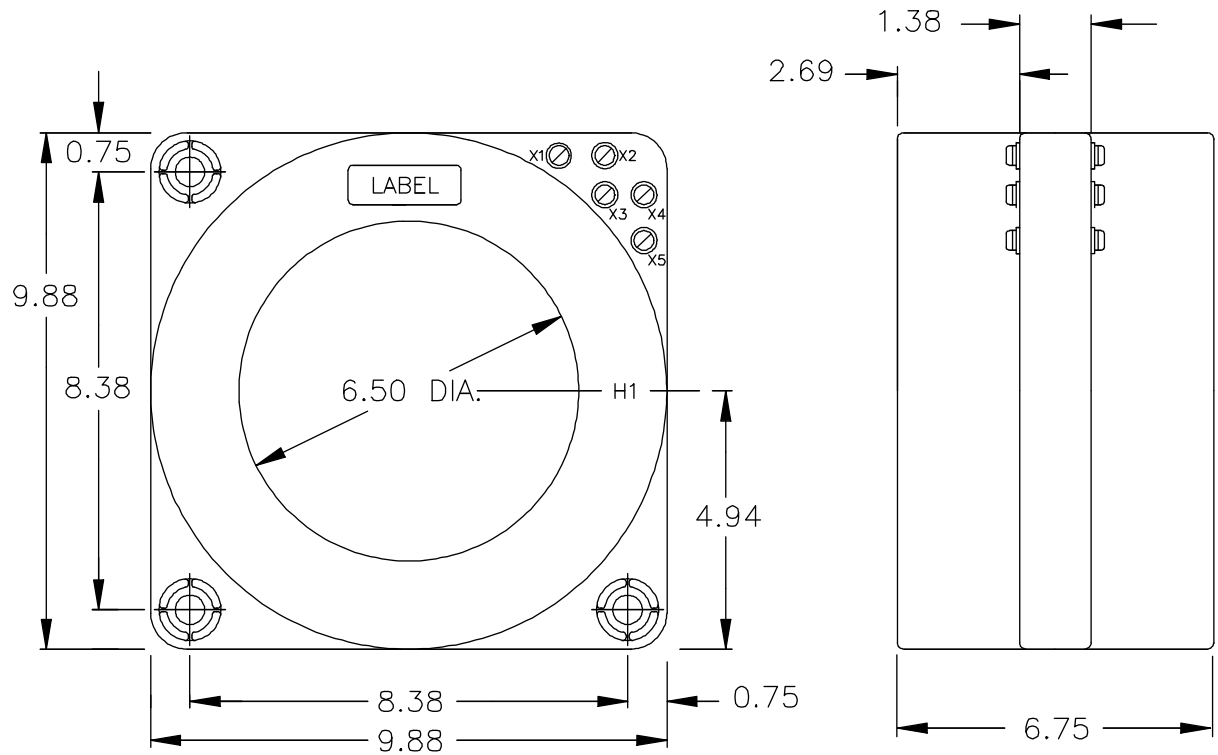
Approximate weight 58 lbs.

Excitation data available upon request.



CONNECTION DIAGRAM

Model 786MR



For more information, visit governova.com/grid-solutions

Instrument Transformers LLC reserve the right to change specifications of described products at any time without notice and without obligation to notify any person of such changes.

© 2025 GE Vernova and/or its affiliates. All rights reserved. GE and the GE Monogram are trademarks of General Electric Company used under trademark license.



GEA-N50311
English
251023