

MODEL 680I

Current Transformer - IEC Rated 50 Hz

Window Diameter 178.3 mm



REGULATORY AGENCY APPROVALS



Manufactured to meet the requirements of ANSI/IEEE C57.13.
Classified by U.L. in accordance with IEC 44-1
Approved for revenue metering by Industry Canada AE-0657

Application

Protective and measuring.

Frequency

50-400 Hz.

Insulation Level

0.72 kV

Continuous Thermal Current Rating Factor

50:5 thru 2000:5 2.00 at 30°C. amb., 1.5 at 55°C. amb.

2500:5 thru 4000:5 1.33 at 30°C. amb., 1.00 at 55°C. amb.

5000:5 1.00 at 30°C. amb., 0.75 at 55°C. amb.

Secondary terminals are brass screws ASA 10-32 with one flatwasher and lockwasher, accessible from either side.

Approximate weight 15.5 kg

Excitation available upon request.



Model 680I

1 Amp Secondary

CATALOG NUMBER	CURRENT RATIO	IEC 44-1 PROTECTION CLASS AT 50 Hz					IEC 44-1 MEASURING CLASS AT 50 Hz				
		BURDEN VA					BURDEN VA				
		2.5	5	10	15	30	2.5	5	10	15	30
680I-500-1	50:1	10P10	-	-	-	-	3.0	5.0	-	-	-
680I-600-1	60:1	10P15	-	-	-	-	3.0	5.0	-	-	-
680I-750-1	75:1	10P15	10P10	-	-	-	3.0	3.0	5.0	-	-
680I-101-1	100:1	5P20	10P10	10P5	-	-	1.0	3.0	3.0	5.0	-
680I-151-1	150:1	5P30	5P15	10P10	10P5	-	1.0	1.0	3.0	3.0	5.0
680I-201-1	200:1	5P30	5P20	5P10	10P5	-	0.5	0.5	1.0	3.0	3.0
680I-251-1	250:1	5P30	5P30	5P15	5P10	10P5	0.5	0.5	1.0	1.0	3.0
680I-301-1	300:1	5P30	5P30	5P20	5P10	10P5	0.5	0.5	0.5	1.0	1.0
680I-351-1	350:1	5P30	5P30	5P20	5P15	5P5	0.2	0.5	0.5	0.5	1.0
680I-401-1	400:1	5P30	5P30	5P20	5P15	10P10	0.2	0.2	0.5	0.5	1.0
680I-501-1	500:1	5P30	5P30	5P30	5P20	5P10	0.2	0.2	0.2	0.5	0.5
680I-601-1	600:1	5P30	5P30	5P20	5P15	10P10	0.2	0.2	0.5	0.5	1.0
680I-751-1	750:1	5P30	5P30	5P20	5P20	5P10	0.1	0.2	0.2	0.5	0.5
680I-801-1	800:1	5P30	5P30	5P30	5P20	5P10	0.1	0.2	0.2	0.2	0.5
680I-102-1	1000:1	5P30	5P30	5P30	5P20	5P15	0.1	0.1	0.2	0.2	0.5
680I-122-1	1200:1	5P30	5P30	5P30	5P30	5P15	0.1	0.1	0.1	0.1	0.2
680I-152-1	1500:1	5P30	5P30	5P20	5P20	5P10	0.1	0.1	0.1	0.1	0.2
680I-162-1	1600:1	5P30	5P30	5P20	5P20	5P10	0.1	0.1	0.1	0.1	0.2
680I-202-1	2000:1	5P30	5P30	5P20	5P20	5P10	0.1	0.1	0.1	0.1	0.2
680I-252-1	2500:1	5P30	5P20	5P20	5P20	5P15	0.1	0.1	0.1	0.1	0.1
680I-302-1	3000:1	5P30	5P20	5P20	5P20	5P15	0.1	0.1	0.1	0.1	0.1
680I-322-1	3200:1	5P30	5P20	5P20	5P20	5P15	0.1	0.1	0.1	0.1	0.1
680I-402-1	4000:1	5P30	5P30	5P30	5P20	5P20	0.1	0.1	0.1	0.1	0.1

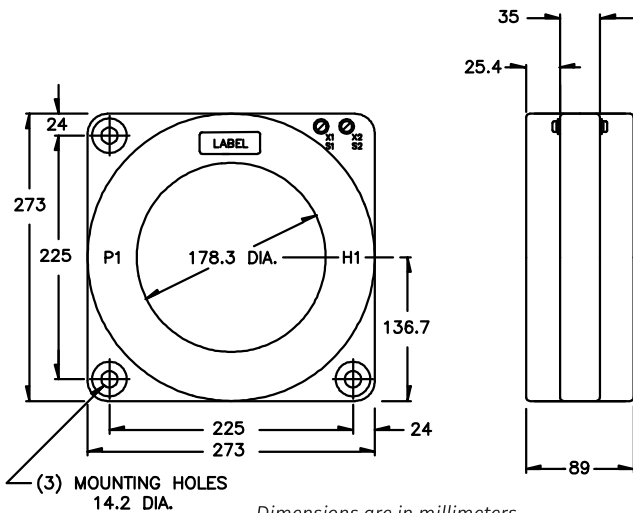
Note: Nameplate Ratings Bold Faced

Model 680I

5 Amp Secondary

CATALOG NUMBER	CURRENT RATIO	IEC 44-1 PROTECTION CLASS AT 50 Hz					IEC 44-1 MEASURING CLASS AT 50 Hz				
		BURDEN VA					BURDEN VA				
		2.5	5	10	15	30	2.5	5	10	15	30
680I-500-5	50:5	10P10	-	-	-	-	3.0	-	-	-	-
680I-750-5	75:5	10P15	10P10	-	-	-	3.0	3.0	-	-	-
680I-101-5	100:5	5P20	10P10	10P10	-	-	1.0	3.0	3.0	-	-
680I-151-5	150:5	5P20	5P15	10P10	10P5	-	1.0	1.0	3.0	3.0	-
680I-201-5	200:5	5P30	5P20	5P10	10P5	-	0.5	0.5	1.0	3.0	3.0
680I-251-5	250:5	5P30	5P20	5P10	5P10	10P5	0.5	0.5	1.0	1.0	3.0
680I-301-5	300:5	5P30	5P20	5P20	5P10	5P5	0.5	0.5	1.0	1.0	1.0
680I-401-5	400:5	5P30	5P30	5P20	5P15	5P5	0.2	0.5	0.5	0.5	1.0
680I-501-5	500:5	5P30	5P30	5P30	5P20	5P10	0.2	0.2	0.5	0.5	0.5
680I-601-5	600:5	5P30	5P30	5P30	5P20	5P10	0.2	0.2	0.2	0.5	0.5
680I-751-5	750:5	5P30	5P30	5P30	5P30	5P15	0.2	0.2	0.2	0.2	0.5
680I-801-5	800:5	5P30	5P30	5P30	5P30	5P15	0.2	0.2	0.2	0.2	0.2
680I-102-5	1000:5	5P30	5P30	5P30	5P30	5P20	0.2	0.1	0.2	0.2	0.2
680I-122-5	1200:5	5P30	5P30	5P30	5P30	5P20	0.2	0.2	0.2	0.2	0.2
680I-152-5	1500:5	5P30	5P30	5P30	5P30	5P30	0.2	0.2	0.2	0.2	0.2
680I-202-5	2000:5	5P30	5P30	5P30	5P30	5P20	0.2	0.2	0.2	0.2	0.2
680I-252-5	2500:5	5P30	5P30	5P30	5P30	5P30	0.2	0.2	0.2	0.2	0.2
680I-302-5	3000:5	5P30	5P30	5P30	5P30	5P30	0.2	0.2	0.2	0.2	0.2
680I-402-5	4000:5	5P30	5P30	5P30	5P30	5P20	0.2	0.2	0.2	0.2	0.2
680I-502-5	5000:5	5P30	5P30	5P30	5P30	5P20	0.2	0.2	0.2	0.2	0.2

Note: Nameplate Ratings Bold Faced



For more information, visit
governova.com/grid-solutions

Instrument Transformers LLC reserve the right to change specifications of described products at any time without notice and without obligation to notify any person of such changes.



© 2025 GE Vernova and/or its affiliates. All rights reserved. GE and the GE Monogram are trademarks of General Electric Company used under trademark license.

GEA-N50758
English
251009