

MODEL 622

Current Transformer

Window Diameter 5.25"



REGULATORY AGENCY APPROVALS



Manufactured to meet the requirements of ANSI/IEEE C57.13.
Classified by U.L. in accordance with IEC 44-1

Application

Relaying and metering.

Frequency

50-400 Hz.

Insulation Level

600 Volts, 10 kV BIL full wave.

Continuous Thermal Current Rating Factor

50:5-4000:5: 1.33 at 30°C. amb., 1.0 at 55°C. amb.

5000:5: 1.0 at 30°C. amb., 0.8 at 55°C. amb.

Secondary terminals are brass screws No. 10-32 with one flatwasher, lockwasher, accessible from either side.

Multi-ratios available on request.

Consult Factory

Approximate weight 31 lbs.

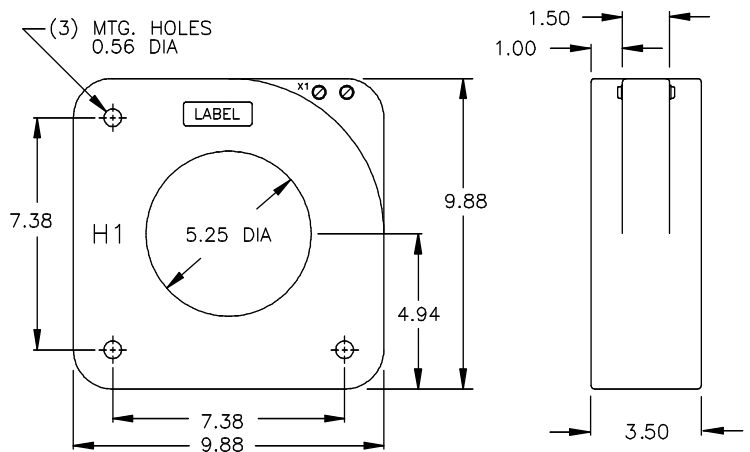
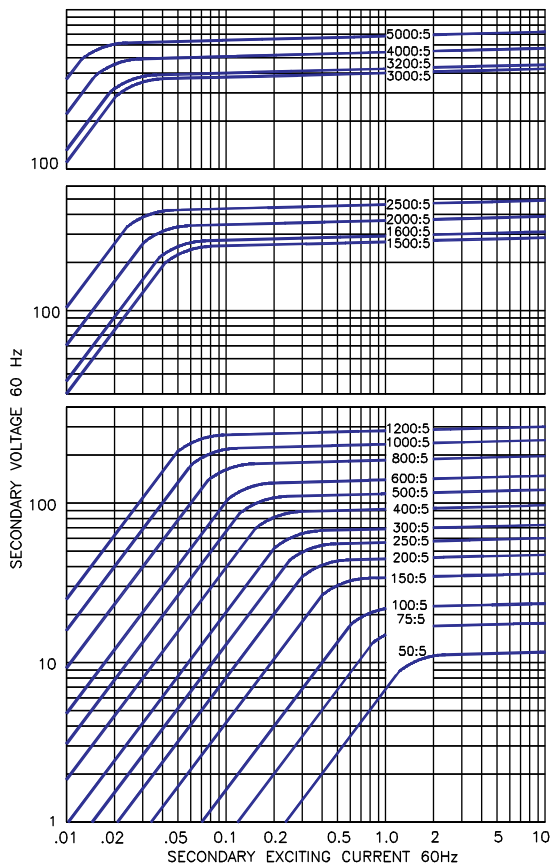
Model 622

CATALOG NUMBER	CURRENT RATIO	RELAY CLASS	ANSI METERING CLASS AT 60 Hz					SECONDARY WINDING RESISTANCE (Ω @ 75°C)
			B0.1	B0.2	B0.5	B0.9	B1.8	
622-500	50:5	C10	2.4	4.8	-	-	-	0.017
622-750	75:5	C10	1.2	2.4	4.8	-	-	0.026
622-101	100:5	C20	0.6	1.2	4.8	4.8	-	0.034
622-151	150:5	C20	0.6	0.6	1.2	2.4	4.8	0.054
622-201	200:5	C20	0.3	0.3	0.6	1.2	2.4	0.071
622-251	250:5	C50	0.3	0.3	0.6	0.6	1.2	0.089
622-301	300:5	C50	0.3	0.3	0.6	0.6	1.2	0.107
622-401	400:5	C100	0.3	0.3	0.3	0.6	0.6	0.143
622-501	500:5	C100	0.3	0.3	0.3	0.6	0.6	0.179
622-601	600:5	C100	0.3	0.3	0.3	0.3	0.3	0.214
622-801	800:5	C200	0.3	0.3	0.3	0.3	0.3	0.286
622-102	1000:5	C200	0.3	0.3	0.3	0.3	0.3	0.357
622-122	1200:5	C200	0.3	0.3	0.3	0.3	0.3	0.429

Model 622

CATALOG NUMBER	CURRENT RATIO	RELAY CLASS	ANSI METERING CLASS AT 60 Hz					SECONDARY WINDING RESISTANCE (Ω @ 75°C)
			B0.1	B0.2	B0.5	B0.9	B1.8	
622-152	1500:5	C200	0.3	0.3	0.3	0.3	0.3	0.497
622-162	1600:5	C200	0.3	0.3	0.3	0.3	0.3	0.531
622-202	2000:5	C200	0.3	0.3	0.3	0.3	0.3	0.663
622-252	2500:5	C400	0.3	0.3	0.3	0.3	0.3	0.829
622-302	3000:5	C400	0.3	0.3	0.3	0.3	0.3	0.919
622-322	3200:5	C400	0.3	0.3	0.3	0.3	0.3	0.980
622-402	4000:5	C400	0.3	0.3	0.3	0.3	0.3	1.531
622-502	5000:5	C400	0.3	0.3	0.3	0.3	0.3	1.999

EXCITATION CURVE



For more information, visit governova.com/grid-solutions

Instrument Transformers LLC reserve the right to change specifications of described products at any time without notice and without obligation to notify any person of such changes.

© 2025 GE Vernova and/or its affiliates. All rights reserved. GE and the GE Monogram are trademarks of General Electric Company used under trademark license.



GEA-N50307
English
251023