

MODEL 387

Current Transformer

Window Diameter 4.50"



REGULATORY AGENCY APPROVALS
 E93779  LR89403
 Manufactured to meet the requirements of ANSI/IEEE C57.13.
 Classified by U.L. in accordance with IEC 44-1

Application

Relaying and metering.

Frequency

50-400 Hz.

Insulation Level

600 Volt, 10 kV BIL full wave.

Terminals are brass screws No. 10-32 with one flatwasher and lockwasher.

Multi-ratios available on request.

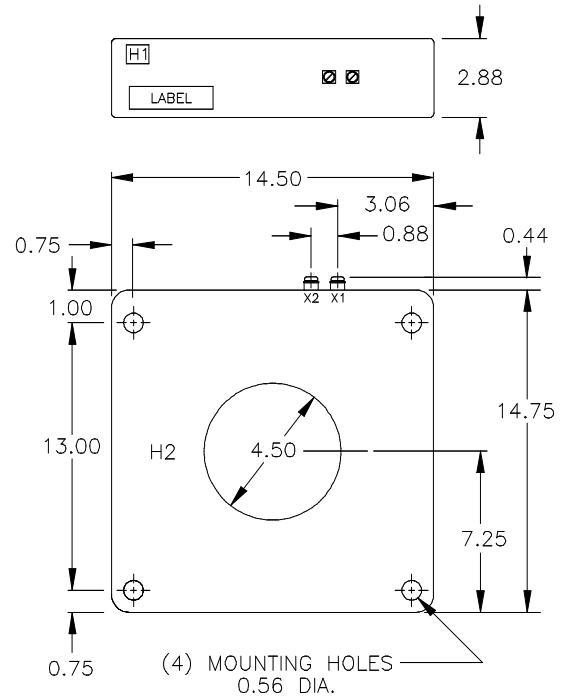
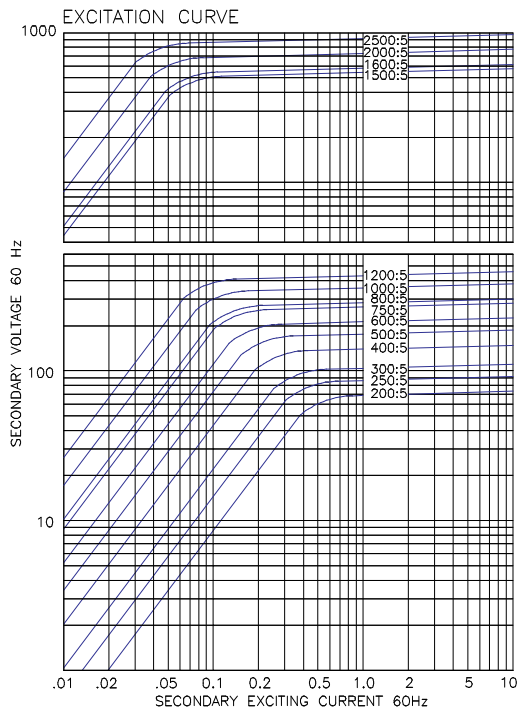
Approximate weight 70 lbs.

Model 387

CATALOG NUMBER	CURRENT RATIO	RELAY CLASS	ANSI METERING CLASS AT 60 Hz					SECONDARY WINDING RESISTANCE (Ω @ 75°C)	CONTINUOUS THERMAL RATING FACTOR	
			B0.1	B0.2	B0.5	B0.9	B1.8		@ 30°C	@ 55°C
387-201	200:5	C50	0.3	0.6	1.2	1.2	2.4	0.087	2.0	2.0
387-251	250:5	C50	0.3	0.3	0.6	1.2	1.2	0.109	2.0	2.0
387-301	300:5	C100	0.3	0.3	0.6	0.6	1.2	0.130	2.0	2.0
387-401	400:5	C100	0.3	0.3	0.3	0.6	0.6	0.174	2.0	2.0
387-501	500:5	C100	0.3	0.3	0.3	0.6	0.6	0.217	2.0	2.0
387-601	600:5	C200	0.3	0.3	0.3	0.3	0.3	0.261	2.0	2.0
387-751	750:5	C200	0.3	0.3	0.3	0.3	0.3	0.326	2.0	2.0
387-801	800:5	C200	0.3	0.3	0.3	0.3	0.3	0.348	2.0	2.0
387-102	1,000:5	C200	0.3	0.3	0.3	0.3	0.3	0.435	2.0	2.0
387-122	1,200:5	C400	0.3	0.3	0.3	0.3	0.3	0.522	2.0	1.5
387-152	1,500:5	C400	0.3	0.3	0.3	0.3	0.3	0.674	2.0	1.5
387-162	1,600:5	C400	0.3	0.3	0.3	0.3	0.3	0.719	2.0	1.5
387-202	2,000:5	C400	0.3	0.3	0.3	0.3	0.3	0.899	1.5	1.33
387-252	2,500:5	C800	0.3	0.3	0.3	0.3	0.3	1.123	1.5	1.0

Approved for revenue metering by Industry Canada No. AE-0652

Model 387



For more information, visit governova.com/grid-solutions

Instrument Transformers LLC reserve the right to change specifications of described products at any time without notice and without obligation to notify any person of such changes.

© 2025 GE Vernova and/or its affiliates. All rights reserved. GE and the GE Monogram are trademarks of General Electric Company used under trademark license.

