

MODEL 140

Current Transformer

Window Diameter 8.13"



REGULATORY AGENCY APPROVALS



Manufactured to meet the requirements of ANSI/IEEE C57.13
Classified by U.L. in accordance with IEC 44-1

Application

Relaying and metering.

Features

50-400 Hz

Insulation Level

600 Volts, 10 kV BIL full wave.

Terminals are brass screws No. 10-32 with one flatwasher and lockwasher.

Order mounting bracket kit 0221B00259 separately.

Multi-ratios available on request.

Approximate weight 22 lbs.

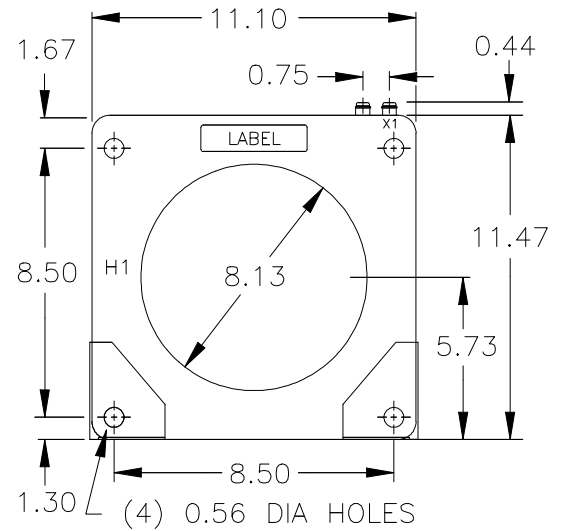
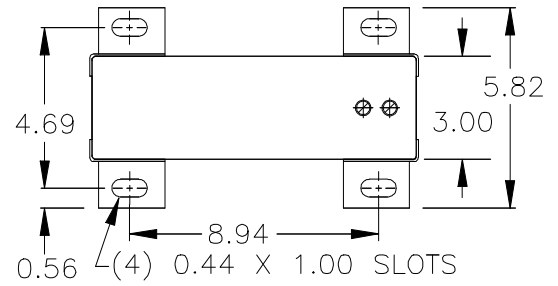
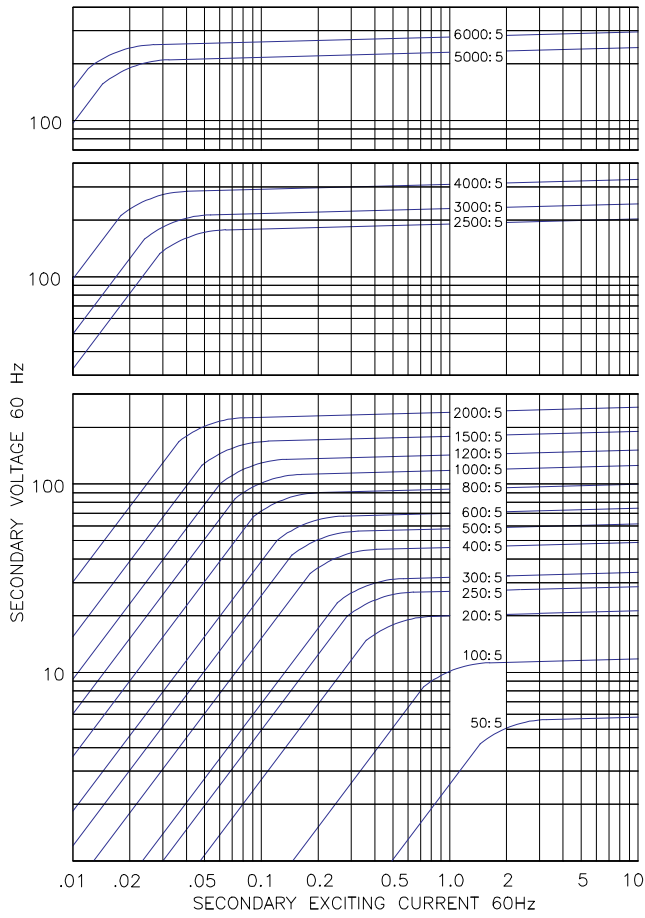
Model 140

CATALOG NUMBER	CURRENT RATIO	RELAY CLASS	ANSI METERING CLASS AT 60 Hz					SECONDARY WINDING RESISTANCE (Ω @ 75°C)	CONTINUOUS THERMAL RATING FACTOR	
			B0.1	B0.2	B0.5	B0.9	B1.8		@ 30°C	@ 55°C
140-500	50:5	—	—	—	—	—	—	0.022	2.0	2.0
140-101	100:5	—	2.4	4.8	—	—	—	0.043	2.0	2.0
140-201	200:5	C10	1.2	1.2	2.4	4.8	—	0.088	2.0	2.0
140-251	250:5	C20	1.2	1.2	2.4	2.4	4.8	0.110	2.0	2.0
140-301	300:5	C20	0.6	1.2	1.2	2.4	2.4	0.131	2.0	2.0
140-401	400:5*	C20	0.3	0.3	0.6	1.2	2.4	0.150	2.0	2.0
140-501	500:5*	C20	0.3	0.3	0.6	1.2	1.2	0.216	2.0	2.0
140-601	600:5*	C50	0.3	0.3	0.3	0.6	1.2	0.276	2.0	2.0
140-801	800:5*	C50	0.3	0.3	0.3	0.3	0.6	0.351	2.0	2.0
140-102	1,000:5*	C50	0.3	0.3	0.3	0.3	0.6	0.432	2.0	1.5
140-122	1,200:5*	C100	0.3	0.3	0.3	0.3	0.3	0.529	1.5	1.5
140-152	1,500:5*	C100	0.3	0.3	0.3	0.3	0.3	0.657	1.5	1.0
140-202	2,000:5*	C100	0.3	0.3	0.3	0.3	0.3	0.865	1.33	1.0
140-252	2,500:5*	C100	0.3	0.3	0.3	0.3	0.3	1.009	1.33	1.0
140-302	3,000:5*	C100	0.3	0.3	0.3	0.3	0.3	1.211	1.0	0.8
140-402	4,000:5*	C200	0.3	0.3	0.3	0.3	0.3	1.614	1.0	0.8
140-502	5,000:5*	C50	0.3	0.3	0.3	0.3	0.3	1.836	1.0	0.8
140-602	6,000:5*	C100	0.3	0.3	0.3	0.3	0.3	2.203	1.0	0.6

Approved for revenue metering by Industry Canada No. AE-0658(*)

Model 140

EXCITATION CURVE



For more information, visit
governova.com/grid-solutions

Instrument Transformers LLC reserve the right to change specifications of described products at any time without notice and without obligation to notify any person of such changes.

© 2025 GE Vernova and/or its affiliates. All rights reserved. GE and the GE Monogram are trademarks of General Electric Company used under trademark license.



GE VERNOVA

GEA-N50325
 English
 250917