

MODEL 12 & 13

Current Transformers

Window Diameter 0.37" & 0.56"



Model 12

Model 13



Application

For current to voltage conversion by use of a loading resistor. These two lightweight, miniature current transformer are suitable for direct mounting on printed circuit boards. Model 13 is provided with standard hexagon nuts, to secure the transformer to a printed circuit board so that the assembly can withstand vibration and shock.

Features

50-400 Hz.

Insulation Level

600 Volt, 10 kV BIL full wave.

Data Table: Models 12 & 13

CATALOG NUMBER	TURNS
12-500T	500
12-1000T	1,000
12-1050T	1,050
13-200T	200
13-400T	400
13-1000T	1,000
13-2000T	2,000
13-3000T	3,000

Continuous Thermal Current Rating Factor

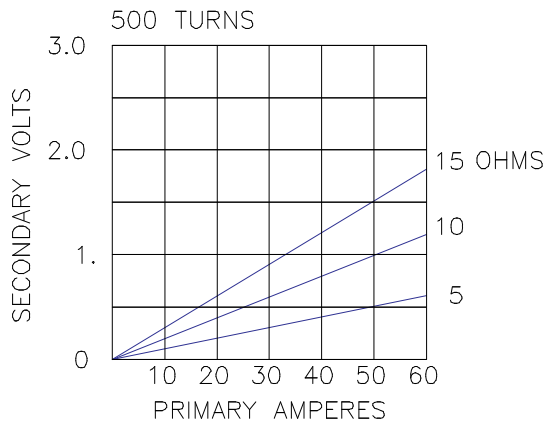
Models 12:
100 A at 30°C amb., 80 A at 55°C amb.

Models 13:
200 A at 30°C amb., 120 A at 55°C amb.

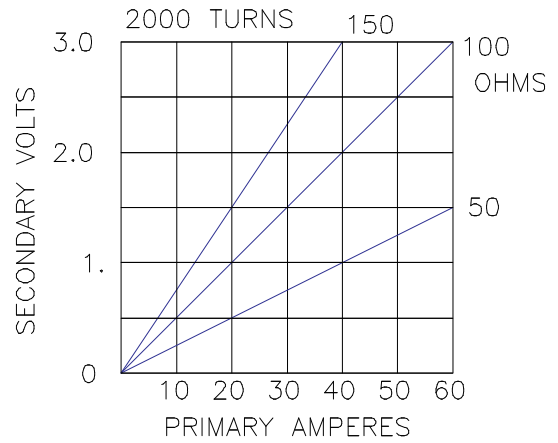
Approximate weight 0.1 - 0.2 lbs.

Model 12 & Model 13

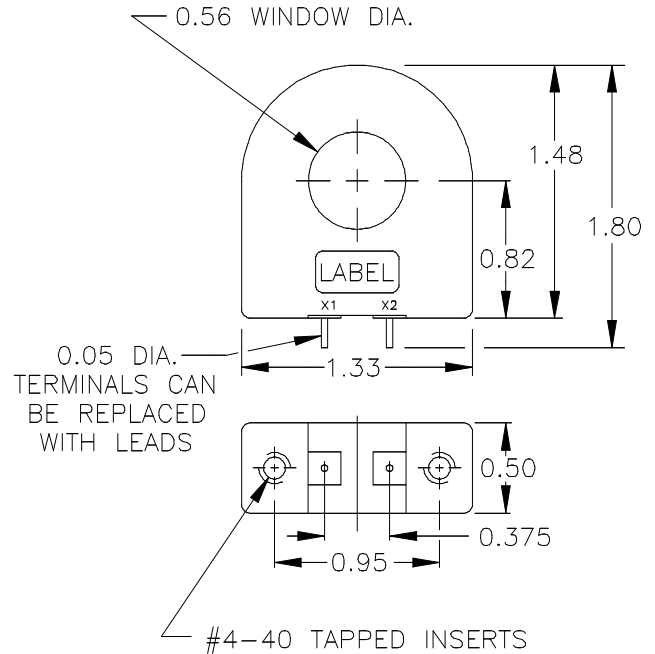
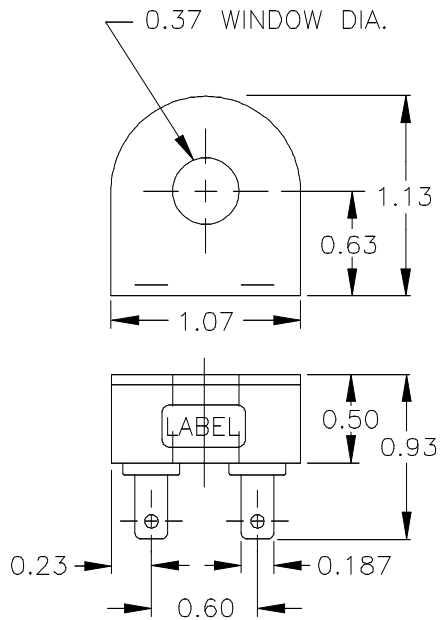
Model 12



Model 13



The graphs above illustrate the voltage output capacity of each for $\pm 3\%$ linearity.



For more information, visit
governova.com/grid-solutions

Instrument Transformers LLC reserve the right to change specifications of described products at any time without notice and without obligation to notify any person of such changes.

© 2025 GE Vernova and/or its affiliates. All rights reserved. GE and the GE Monogram are trademarks of General Electric Company used under trademark license.



GE VERNOVA

GEA-N50326
 English
 251010